

WEA125 WCS 8kg Active

W1 front-loader washing machine:

A -10 %\* | 8 kg | 1400 rpm | CapDosing | Honeycomb drum | AddLoad



EAN: 4002516867623 / Material number: 12721200 / Old Material Number: 11EA1251GB

- Tested for 20 years of perfect laundry care\*
- Save even more energy with A -10 %\*\*
- Exclusive CapDosing range for different fabrics and stains\*\*\*
- Our honeycomb drum ensures that laundry stays in perfect condition
- Add or remove individual items during the wash cycle with AddLoad

\* During the development phase of the W1 washing machine series, Miele tested models and core components in 5000 wash loads (= 5 wash loads per week for 50 weeks per year) in various programmes. More: [miele.com/20years](http://miele.com/20years)

\*\* 10 % more economical than the threshold value (52) for energy efficiency class A

\*\*\* Patent EP 2 365 120



<b>Construction type</b>	
Side-by-side	•
Slot-in	•
Can be built-under	•
Door hinge	right
<b>Spinning</b>	
Max. spin speed	1400
<b>Design</b>	
Appliance colour	Lotus white
Control panel colour	Lotus white
Rotary selector colour	Lotus White
Display	EasyControl yellow
<b>Gentle laundry care</b>	
Load in kg	8.0
<b>Efficiency and sustainability</b>	
Energy efficiency class (A–G)	A
More economical than the threshold value (52) for energy efficiency class A	10%
Weighted energy consumption per 100 operating cycles for the wash cycle in kWh	43
Weighted water consumption per cycle in l	48
Spin efficiency class (A–G)	B
Acoustic airborne noise emission class (spin cycle; A–D)	A
Sound emissions during spin cycle in dB(A) re 1 pW	72
Duration of the “ECO 40–60” programme at nominal capacity	219
Power rating in off mode in W	0.30
<b>Wash programmes</b>	
Cottons (coloureds)	•
Cottons with pre-wash	•
Minimum iron	•
Delicates	•
Woollens (hand-washable)	•
Express 20	•
Dark garments / Denim	•
Outerwear	•
Proofing	•
Separate rinse/Starch	•
Drain / Spin	•
ECO 40-60	•
<b>Safety</b>	
Water protection system	Watercontrol-System
<b>Technical data</b>	
Dimensions in mm (width)	596
Dimensions in mm (height)	850
Dimensions in mm (depth)	636
Appliance depth in mm with opened door	1054
Appliance depth excluding door (for building-under) in mm	600
Weight in kg	80

WEA125 WCS 8kg Active

W1 front-loader washing machine:

A -10 %\* | 8 kg | 1400 rpm | CapDosing | Honeycomb drum | AddLoad



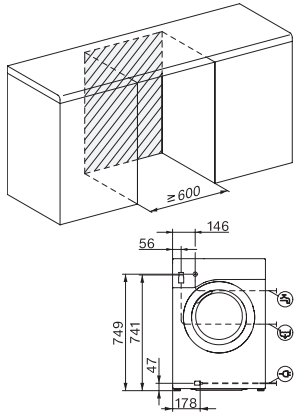
EAN: 4002516867623 / Material number: 12721200 / Old Material Number: 11EA1251GB

Total rated load in kW	2.10-2.40
Voltage in V	220-240
Fuse rating in A	13
Frequency in Hz	50
Length of water inlet hose in m	1.60
Length of water drain hose in m	1.50
Length of supply lead in m	2

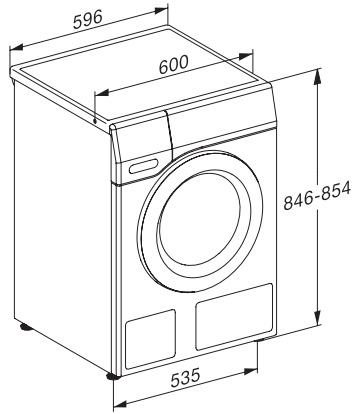
WEA125 WCS 8kg Active

W1 front-loader washing machine:

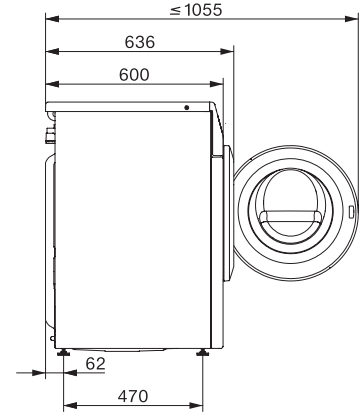
A -10 %\* | 8 kg | 1400 rpm | CapDosing | Honeycomb drum | AddLoad



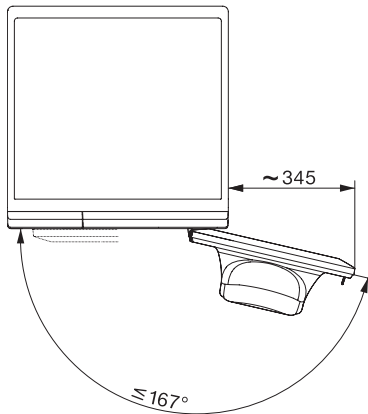
W1 installation drawing, slanted facia or straight facia, measures in mm



W1 drawing, slanted facia or straight facia, measures in mm



W1 drawing, slanted facia or straight facia, measures in mm



W1 drawing, slanted facia or straight facia, measures in mm