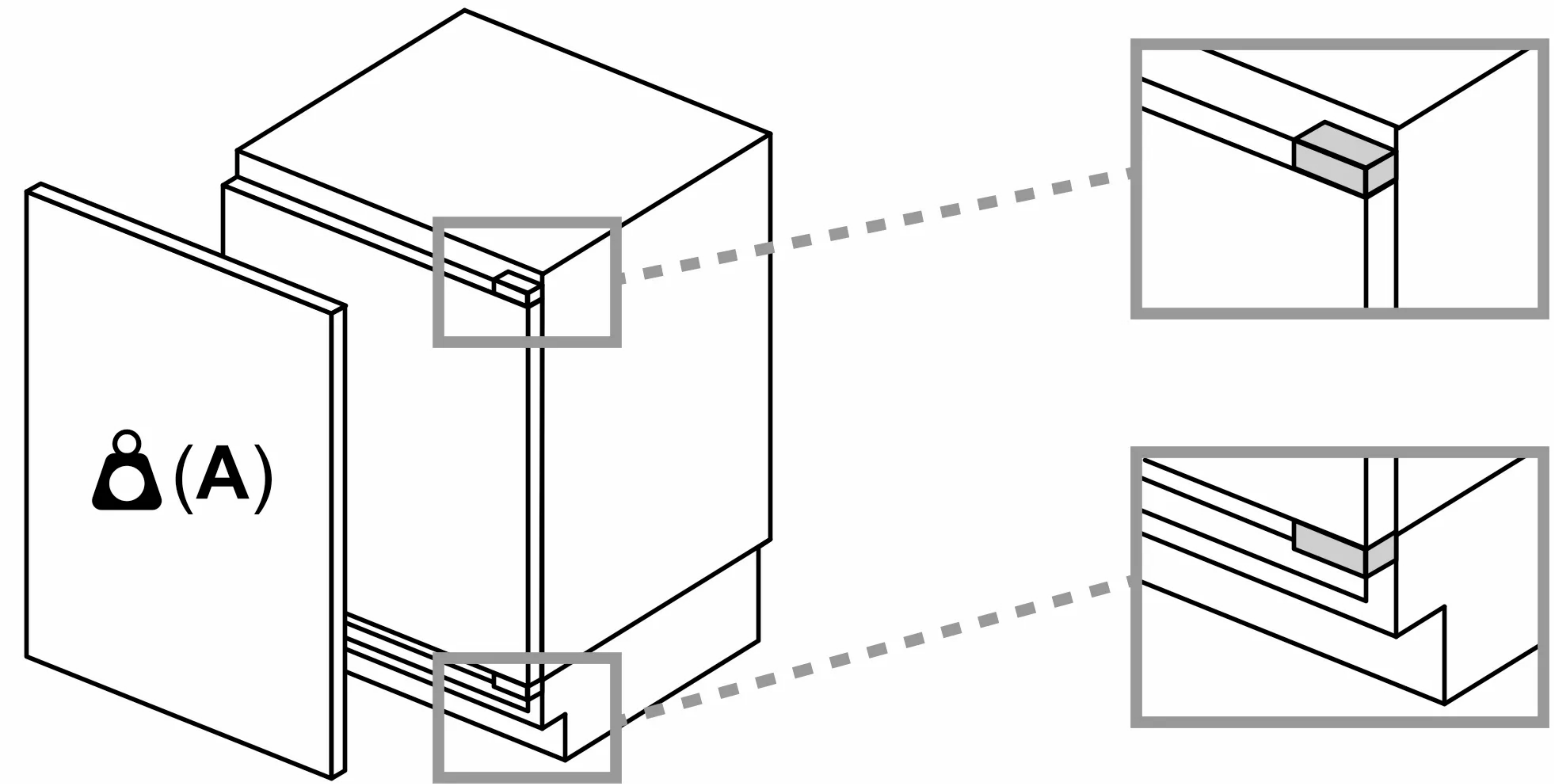


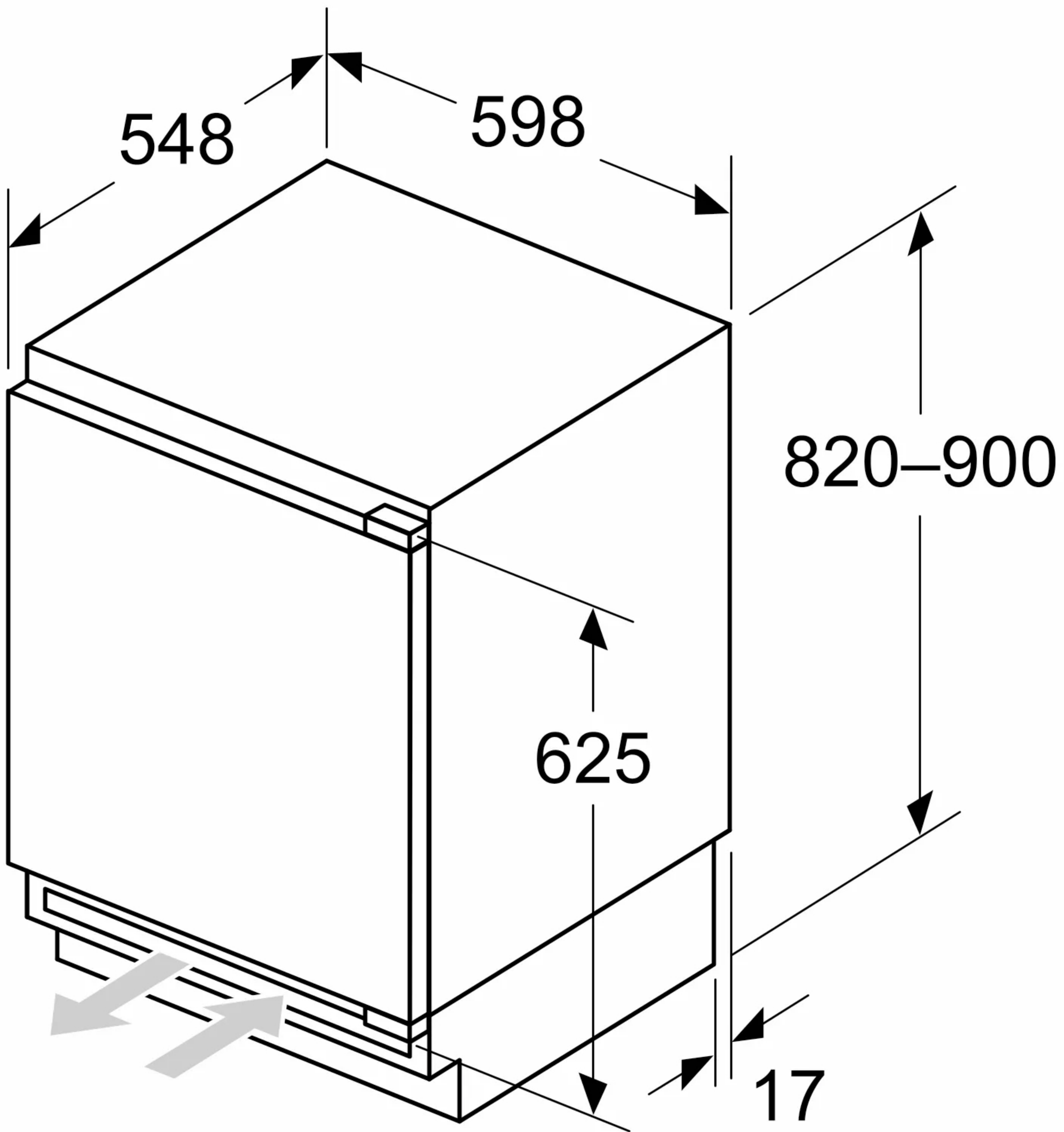
# Maximal permissible weight of the unit fronts



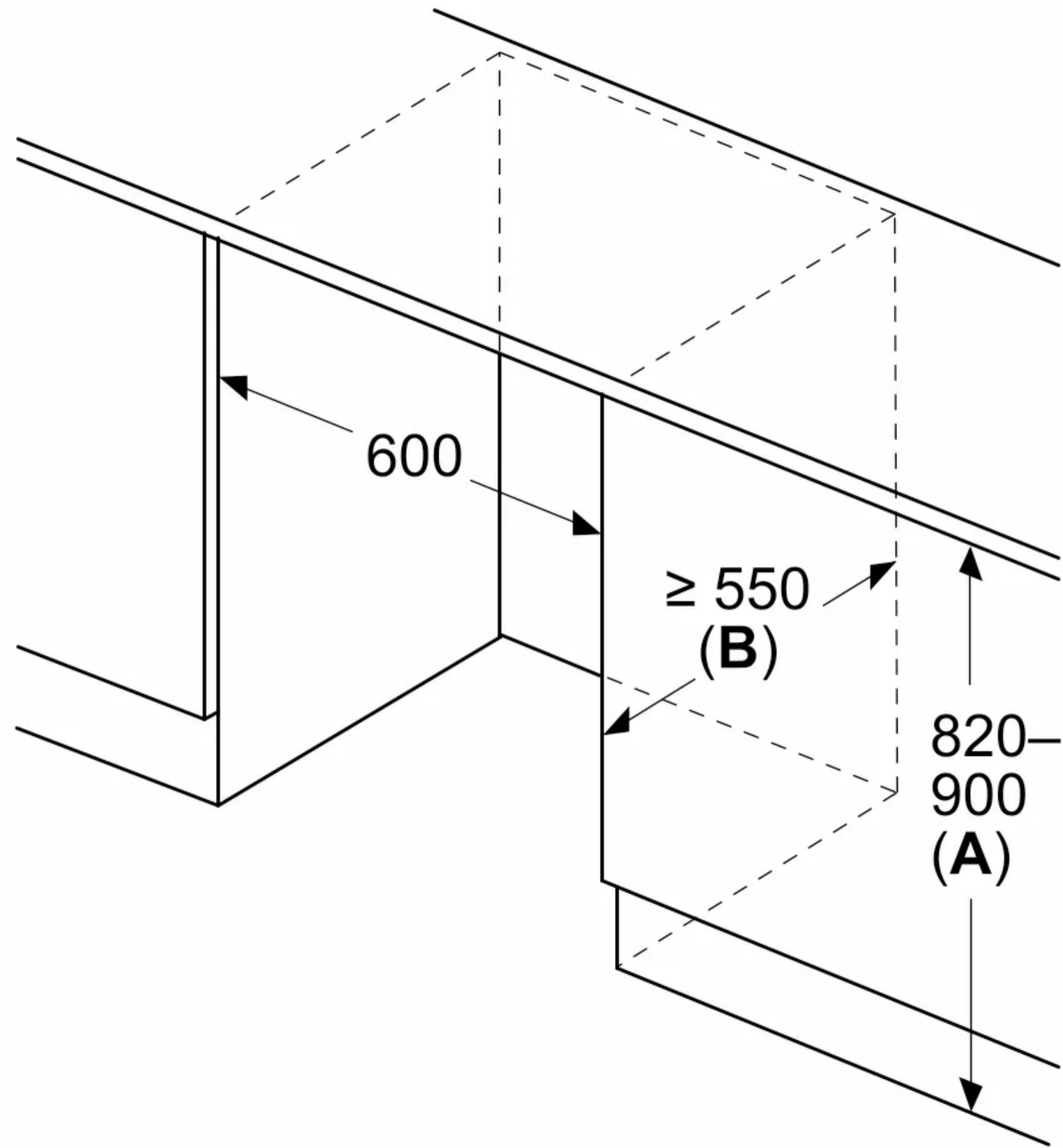
Fitted unit fronts that exceed the permissible weight may cause damage and result in functional impairment of the hinges

**A:** Weight  $\leq$  12 kg

# Measurements in mm



Measurements in mm

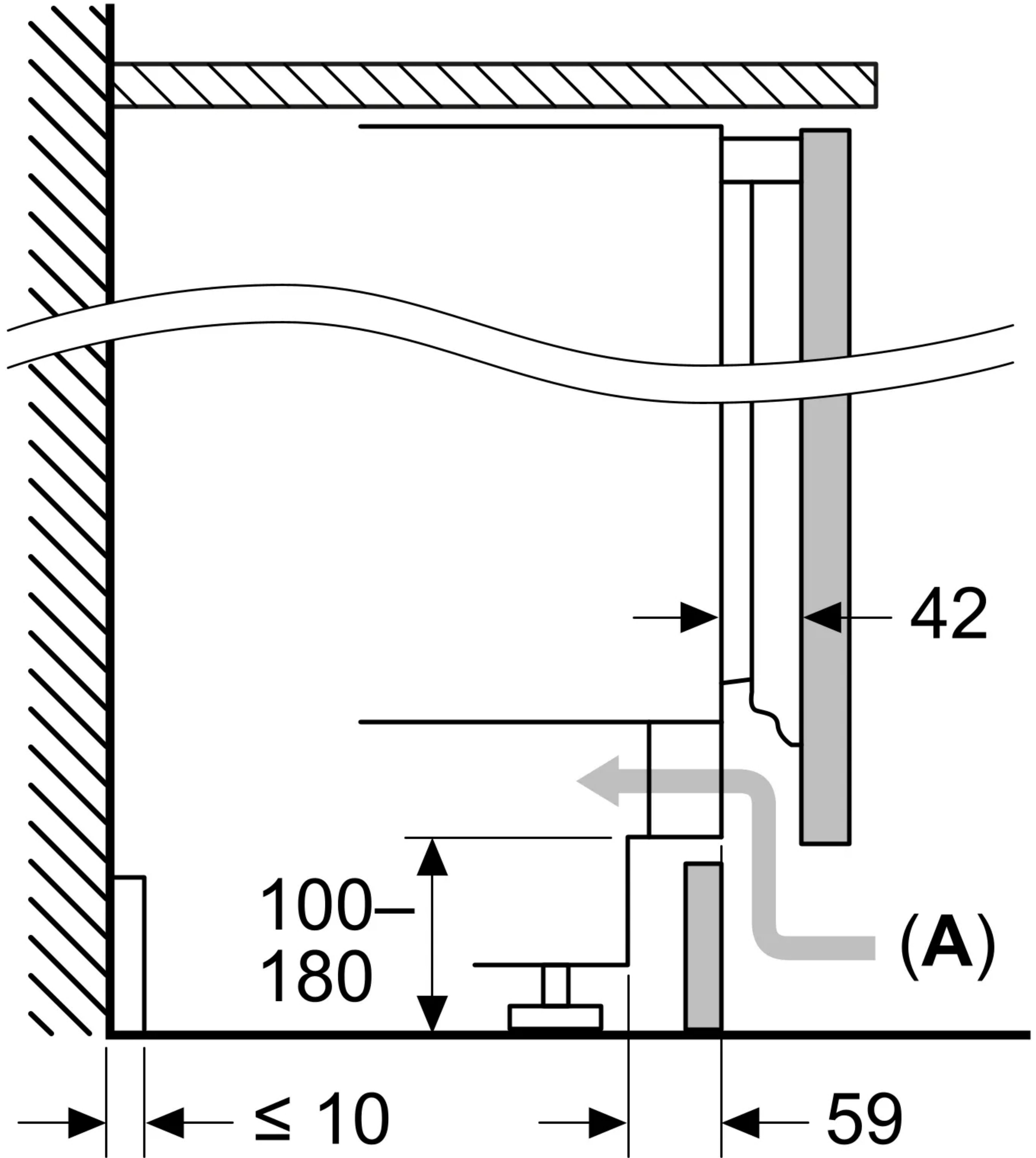


**A:** Substructure height

**B:**  $\geq 560$  mm (recommended)

Space for electrical connection next to the appliance on the left or right side

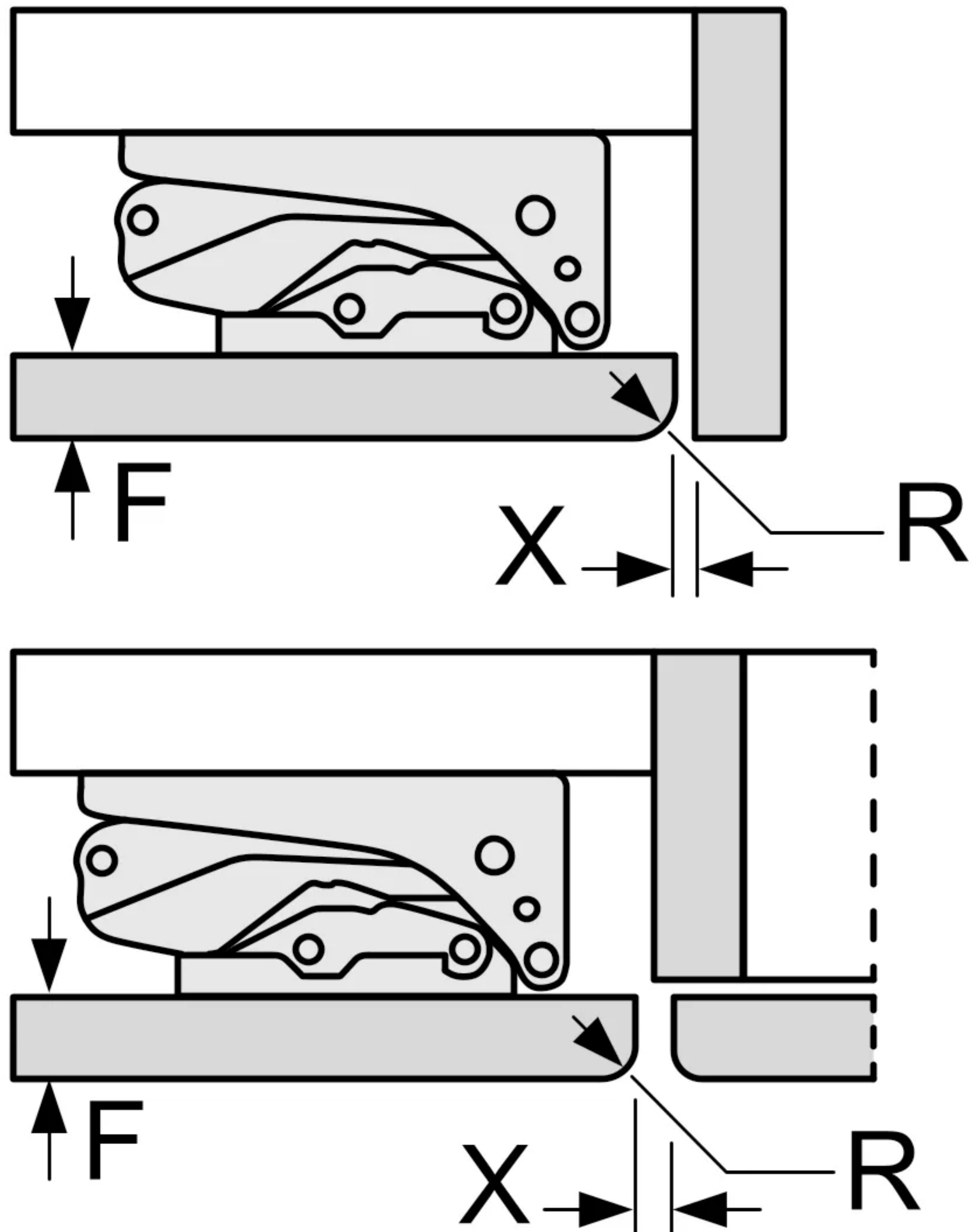
# Measurements in mm



**A:** Air inlet  $\geq 200 \text{ cm}^2$

measurements in mm

# Recommended gap dimensions for flat hinges



<b>F</b>	<b>R</b>	<b>X</b>
16-19	0-3	2.5
20	0-1	3
	2-3	2.5
21	0-1	3
	2-3	2.5
22	0	4
	1	3.5
	2-3	3

The gap dimensions recommended in the table must be adhered to in order to ensure that appliance doors do not collide with anything when they are opened, and to avoid causing damage to kitchen units.