

**iQ300, Built-in fridge-freezer with freezer at bottom, 193.5 x 55.8 cm, flat hinge KI96NVFD0**



The extra large built-in fridge freezer with 12% more cooling volume including hyperFresh <0°C> system, No Frost and fast cooling and freezing functions for optimal storage.

- ✓ hyperFresh <0°C> – More space for fruit and vegetables. Dedicated storage for fish and meat.
- ✓ LED light – Even lighting throughout the inside of your fridge to keep everything in view.
- ✓ autoAirflow – Ideal air circulation for even cooling at all levels, maintaining longer freshness.
- ✓ superFreezing: fast freezing for even large quantities of food.
- ✓ safetyGlass shelves – Extra strong and easy to clean.

**Features**

**Technical Data**

Energy Efficiency Class <sup>1</sup> : .....	D
Average annual energy consumption in kilowatt hour per year (kWh/a): .....	184 kWh/annum
Sum of volume of frozen compartments: .....	75 l
Sum of volume of chill compartments: .....	215 l
Airborne acoustical noise emissions : .....	34 dB(A) re 1pW
Airborne acoustical noise emission class: .....	B
Built-in / Free-standing: .....	Built-in
Door panel options: .....	Not possible
Height: .....	1935 mm
Width of the appliance: .....	558 mm
Dimensions: .....	548 mm
Required niche size for installation (HxWxD): ....	1940x560x550 mm
Weight: .....	62.2 kg
EAN code: .....	4242003932742
Fuse protection: .....	10 A
Door opening: .....	Right reversible
Nominal power: .....	220-240 V
Frequency: .....	50 Hz
Length electrical supply cord: .....	230 cm
Number of compressors: .....	1
Number of independent cooling systems: .....	2
Interior ventilator: .....	No
Reversible Door Hinge: .....	Yes
Number of Adjustable Shelves in fridge compartment: .....	3
Shelves for Bottles: .....	Yes
Frost free system: .....	Freezer
Installation type: .....	Fully integrated



**Optional accessories**

KSGGZM00 Butter box

<sup>1</sup> Scale of Energy Efficiency Classes from A to G

## iQ300, Built-in fridge-freezer with freezer at bottom, 193.5 x 55.8 cm, flat hinge KI96NVFD0

### Features

#### Design features

- Right hinged door, door reversible
- Height adjustable front feet
- Bright interior LED fridge light in fridge section
- Electronic control (2 LED chains)
- easy Installation

#### Functions

- Automatic defrost in fridge section
- NO\_FROST\_NEU\_BL, never have to defrost ever again
- SuperFreeze with Manual/automatic activation
- Optical and acoustical door open warning system

#### Food freshness system

- 1 hyperFresh box with integrated humidity control

#### Key features - Fridge section

- 5 safety glass shelves of which 4 are height adjustable
- Bottle rack
- 4 door bins

#### Key features - Freezer section

- 3 freezer drawers

#### Additional features

- 2 x ice cube tray

#### Performance and Consumption

- Climate Class: SN-ST
- Total Volume : 290 l
- Net Fridge Volume : 215 l
- Net Freezer Volume : 75 l
- Annual Energy Consumption: 184 kWh/a
- Noise Level : 34 dB , EU19\_Noise emission class\_D: B
- Temperature rise time : EU19\_Temperature rise time\_D: 11 H
- Freezing capacity 24h : 8 kg
- 220 - 240 V
- EU19\_EEK\_D: D
- EU19\_Fast freezer facility\_D
- Based on the results of the standard 24-hour test. Actual consumption depends on usage/position of the appliance.

#### Dimension and installation

- Dimensions: 193.5 cm H x 55.8 cm W x 54.8 cm D
- Niche Dimensions: 194 cm H x 56 cm W x 55 cm D
- Length of power cord:230 cm

#### Country Specific Options

## iQ300, Built-in fridge-freezer with freezer at bottom, 193.5 x 55.8 cm, flat hinge KI96NVFD0

### Dimensioned drawings



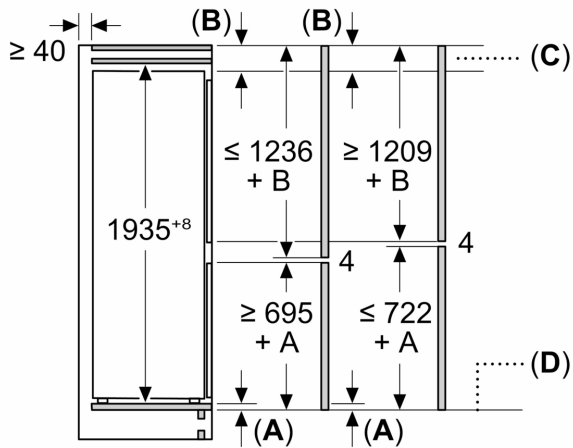
**Maximal permissible weight of the unit fronts**

Fitted unit fronts that exceed the permissible weight may cause damage and result in functional impairment of the hinges

$\Delta$  Weight  
 A: Appliance door height including hinges in mm  
 B: Undamped hinge, unit front in kg  
 C: Damped hinge, unit front in kg  
 D: Additional possible load in kg with heavy load kit

A	B	C	D
1500-1750	22	22	
720-1400	19	19	B+5 / C+5
A1	15	19	
A2	15	19	

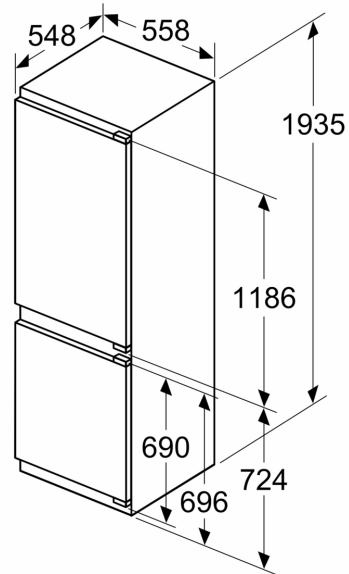
### Measurements in mm



C: Front panel overhang

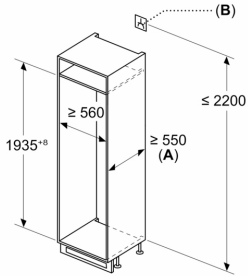
D: Lower edge of front panel

### Measurements in mm



## Dimensioned drawings

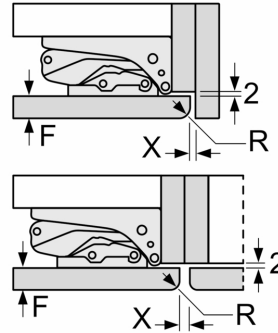
Measurements in mm



A:  $\geq 560$  mm (recommended)  
B: Socket

measurements in mm

Recommended gap dimensions for flat hinges



F	R	X
16-19	0-3	2.5
20	0-1	3
	2-3	2.5
21	0-1	3
	2-3	2.5
22	0	4
	1	3.5
	2-3	3

The gap dimensions recommended in the table must be adhered to in order to ensure that appliance doors do not collide with anything when they are opened, and to avoid causing damage to kitchen units.