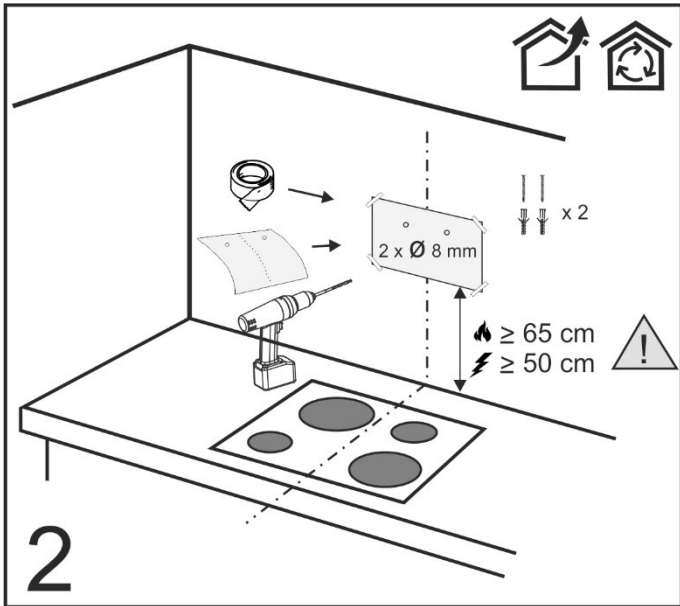
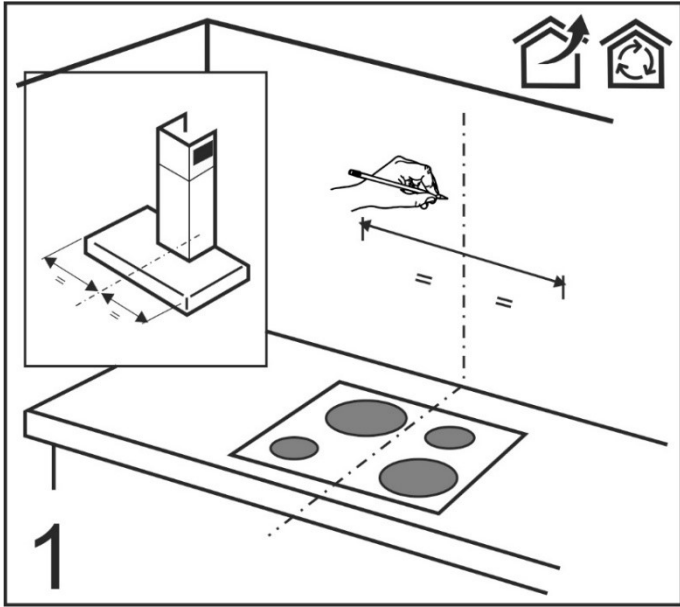
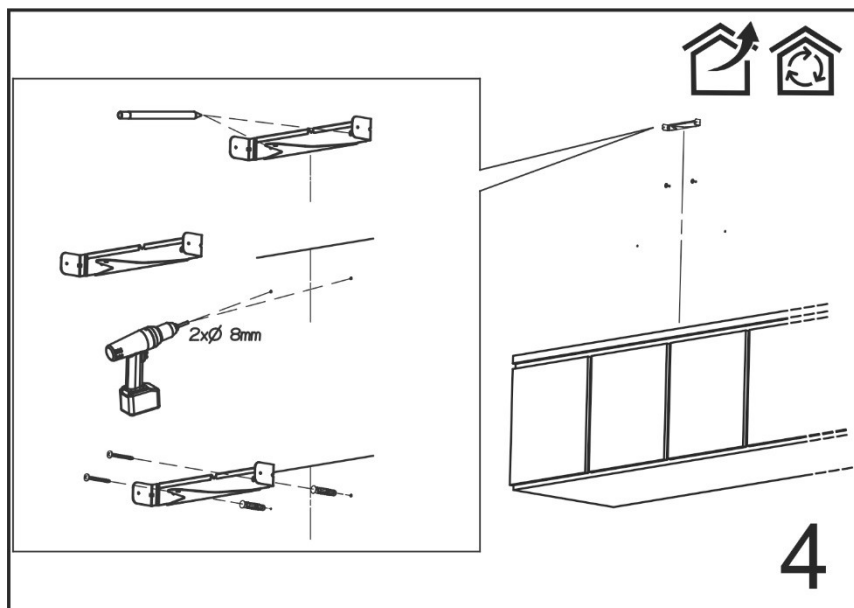
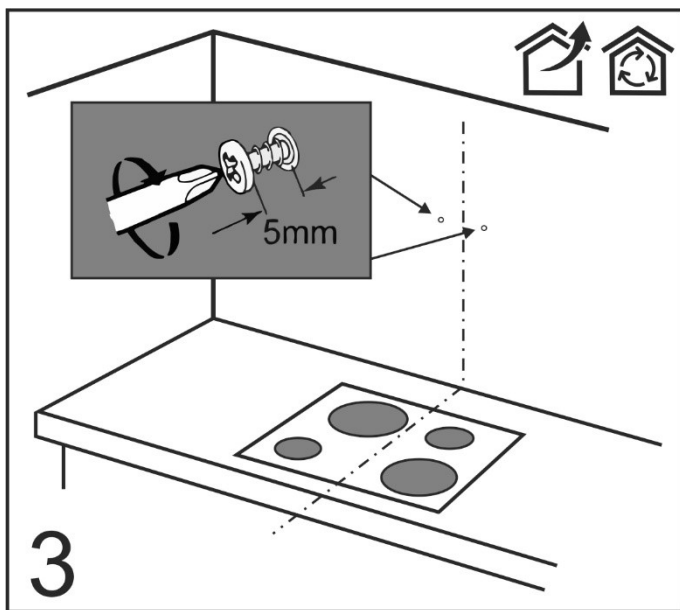
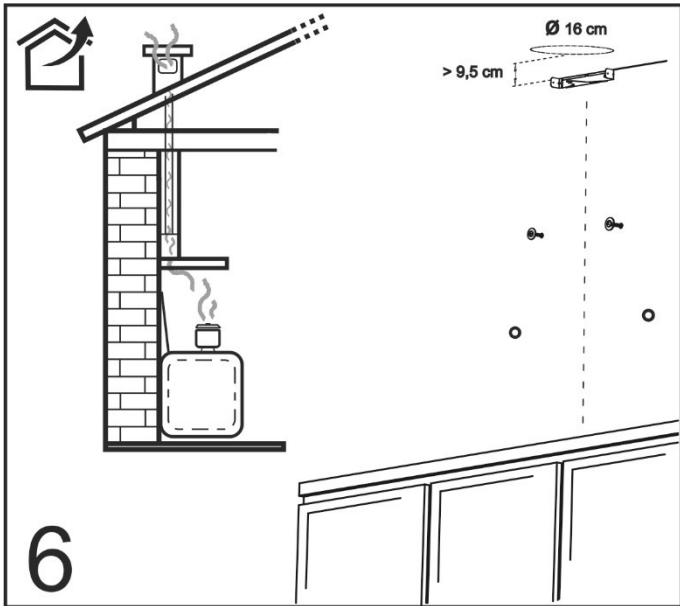
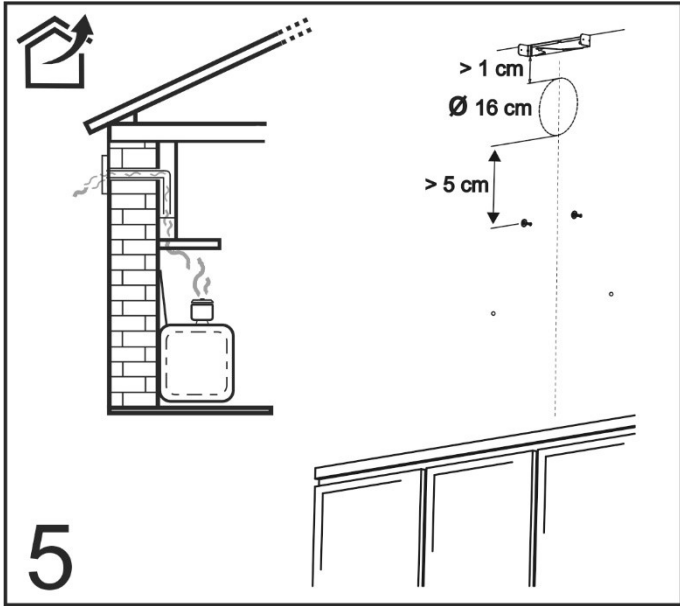


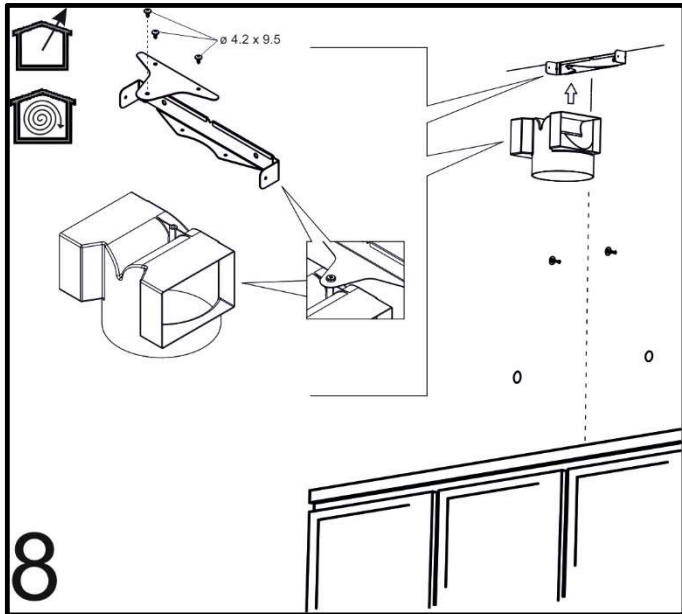
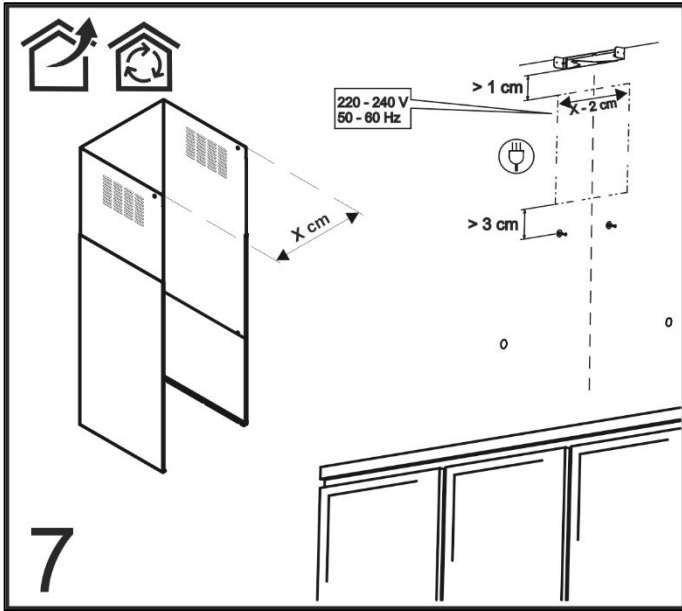


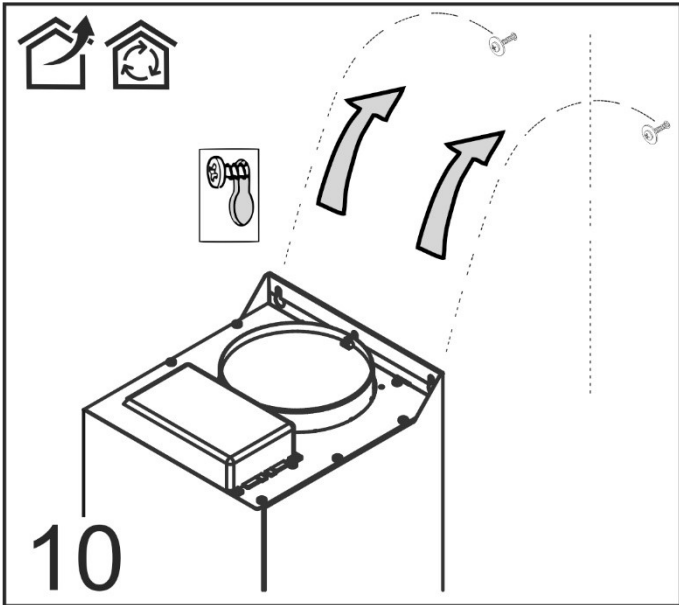
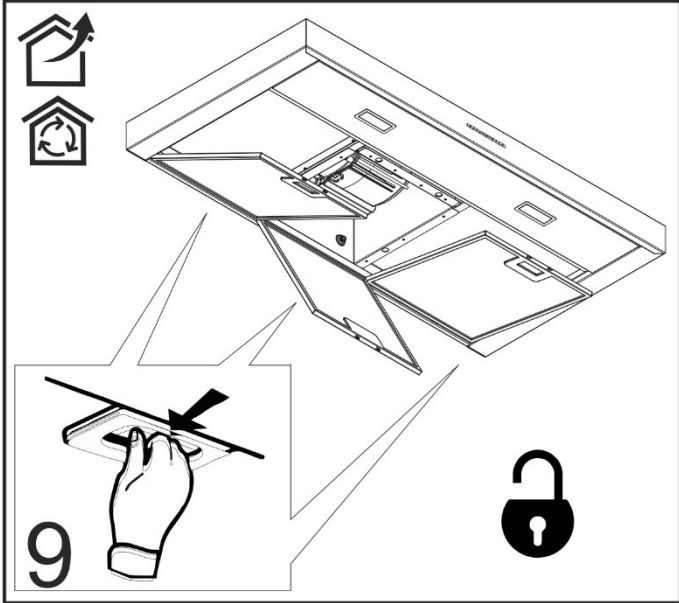
IT	Cappa aspirante	Istruzioni di montaggio e d'uso
EN	Exhaust hood	Instruction on mounting and use
FR	Hotte	Prescriptions de montage et mode d'emploi
DE	Dunstabzugshaube	Montage- und Gebrauchsanweisung
PT	Exaustor	Instruções para montagem e utilização
ES	Campana extractora	Montaje y modo de empleo
NL	Afzuigkap	Montagevoorschriften en gebruiksaanwijzingen
SV	Köksfläkt	Monterings- och bruksanvisningar
DA	Emhætte	Bruger- og monteringsvejledning
NO	Kjøkkenventilator	Instrukser for montering og bruk
RU	Вытяжка	Инструкции по монтажу и эксплуатации
PL	Okap kuchenny	Instrukcja montażu i obsługi
AR	شفاط العادم	تعليمات التركيب والاستخدام

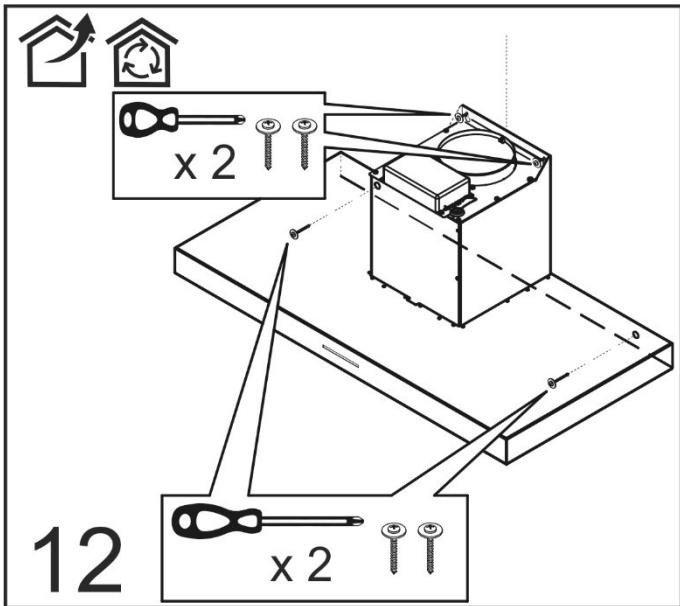
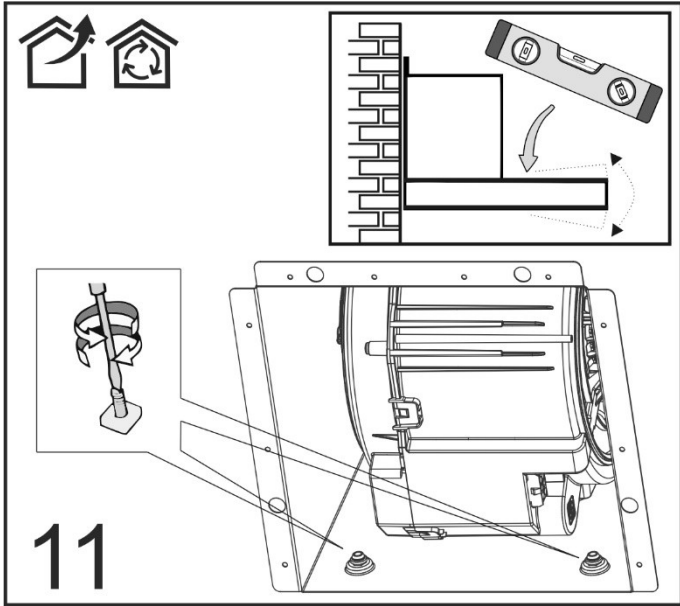


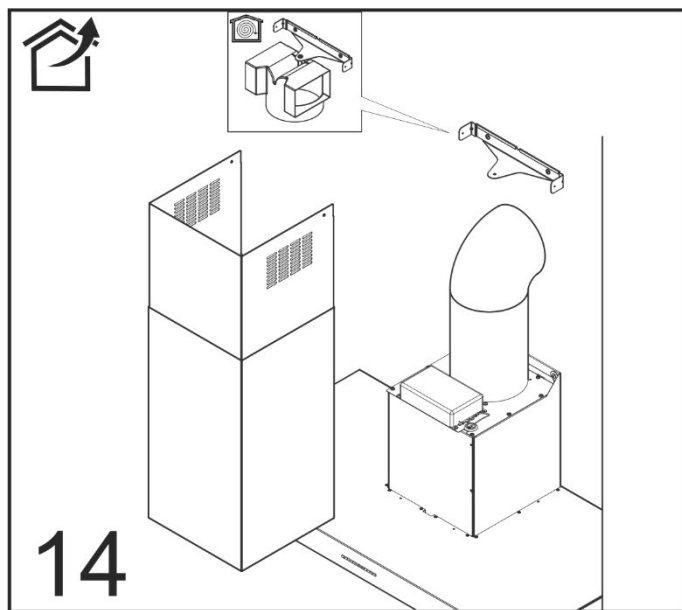
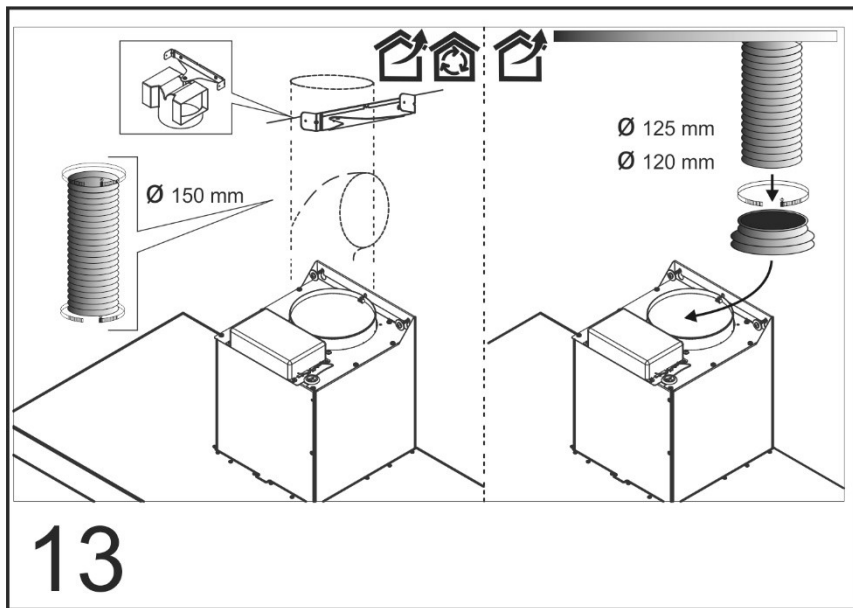


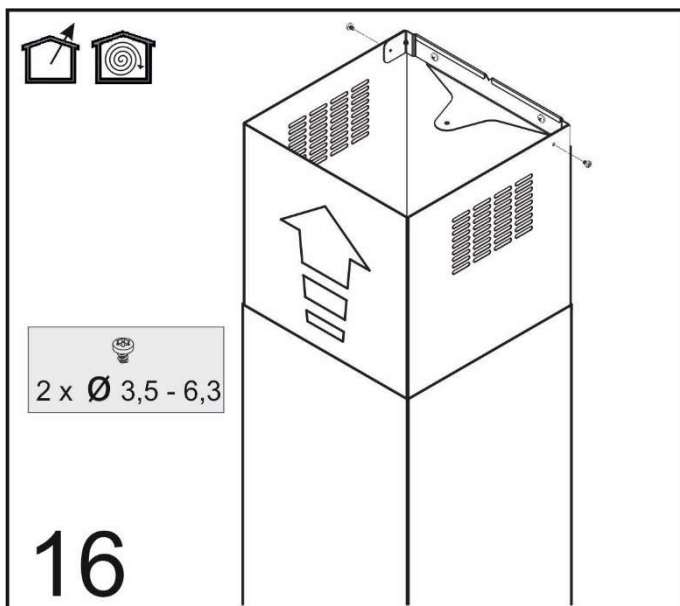
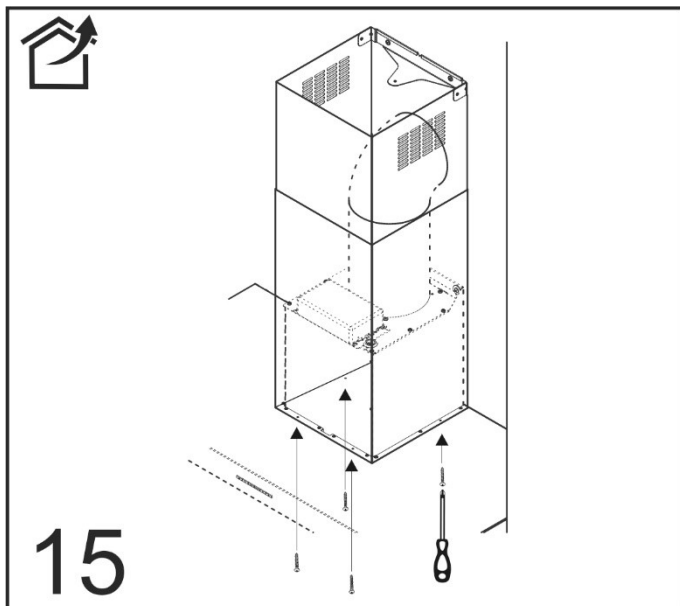


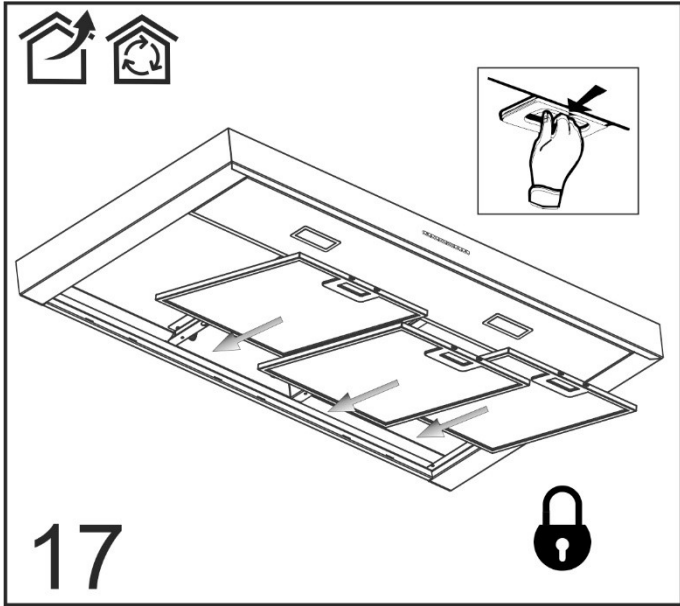












TRANSLATION OF THE ORIGINAL INSTRUCTIONS

Safety Instructions

Read all instructions

Closely follow the instructions set out in this manual. The manufacturer declines all responsibility for any faults, damage or fires caused by the failure to observe the instructions provided in this manual. The hood is designed for extracting cooking fumes and vapours. It is intended for domestic use only.

The hood can appear different to the one illustrated in the drawings in this booklet. However, the instructions for use, maintenance and installation are the same.

! This manual should be kept for future reference. If the appliance is sold, given away or you move to a new house, make sure that it stays with the product.

! Read the instructions carefully: they contain important information regarding installation, use and safety.

! Do not make any electrical or mechanical modifications to the product or the extraction ducts.

! Before installing the appliance, make sure that none of the components are damaged. Otherwise, contact your dealer and do not proceed with the installation.

Please note: The items marked with “(*)” are optional accessories supplied only with some models or items that are not supplied and that have to be purchased separately.



Caution

Warning! Do not connect the appliance to the mains power supply until installation is complete.

Before carrying out cleaning or maintenance, disconnect the hood from the mains power supply by removing the plug or switching off the main circuit breaker.

Always wear work gloves when carrying out installation and maintenance.

The appliance is not intended to be used by children or by people of reduced physical, sensory or mental capacity or if lacking experience or knowledge in the use of the appliance, unless they are supervised or have been trained to use the appliance by a person responsible for their safety.

Children should be supervised to make sure that they do not play with the appliance.

Do not use the hood if the grid is not mounted correctly!

The hood should NEVER be used as a support surface unless specifically indicated.

The room in which the hood is installed must be adequately ventilated when the hood is used together with other appliances powered by gas or other fuels.

The air that is extracted must not be conveyed into a duct that is used for extracting fumes from appliances powered by gas or other fuels.

Do not flambé foods under the hood.

The use of open flames can damage the filters and can cause fires and must therefore be avoided.

Frying must be carried out with care so that the oil does not overheat and catch fire.

When the hob is in use, the accessible parts of the hood may become hot.

Comply with local authority regulations regarding the technical and safety measures to adopt for discharging the fumes.

The hood should be cleaned regularly, both internally and externally (AT LEAST ONCE A MONTH

and in any case, comply with the maintenance instructions provided in this manual).

Failure to follow the instructions for cleaning the hood and replacing the filters can lead to the risk of fire.

Do not use or leave the hood without the lamps correctly installed as there is a possible risk of electric shock.

The manufacturer declines all responsibility for any faults, damage or fires caused by the failure to observe the above the instructions provided in this manual.

This appliance is marked according to the European directive 2002/96/EC on Waste Electrical and Electronic Equipment (WEEE). By ensuring this product is disposed of correctly, you will help prevent a potential negative impact on the environment and on human health.



The  symbol on the product, or in the accompanying documentation, indicates that this product should not be disposed of as household waste but that it should be taken to an appropriate collection point for the recycling of electrical and electronic equipment. Dispose of the product in accordance with local waste disposal regulations. For further information on treatment, collection and recycling this product, please contact your appropriate local authority department, the household waste collection service or the shop where you purchased this product. This appliance has been designed, tested and built in compliance with the standards on:

- Safety: IEC/EN 60335-1; IEC/EN 60335-2-31, IEC/EN 62233.
- Performance: IEC/EN 61591; ISO 5167-1; ISO 5167-3; ISO 5168; IEC/EN 60704-1; IEC/EN 60704-2-13; ISO 3741; EN 50564; IEC 62301.
- EMC: EN 55014-1; CISPR 14-1; EN 55014-2; CISPR 14-2; IEC/EN 61000-3-2; IEC/EN 61000-3-3.

Recommendations for proper use of the appliance aimed at reducing environmental impact: When you start cooking, switch the hood on at minimum speed and leave it on for a few minutes after you have finished cooking. Increase the speed only if there is a large amount of steam and fumes. Use the booster function only when necessary.

Replace the carbon filter(s) whenever necessary in order to maintain a good level of odour reduction efficiency. Clean the grease filter whenever necessary in order to keep it working efficiently. In order to optimise efficiency and reduce noise, use a duct of the maximum diameter indicated in this manual.

WARNING! Failure to install screws or fixing devices according to these instructions can cause electrical hazards.

Use

The hood is designed to be used either as a ducting version or as a filter version.

**Ducting version**

This version conveys the fumes to the outside of the building via an extraction duct that is fixed to the connecting flange.

The diameter of the extraction duct must be the same as that of the connecting ring.

Warning! The duct is not supplied and must be purchased separately.

In the horizontal section, the extraction duct must have a slight upwards inclination (about 10°) so that it can convey the air to the outside more easily.

If the hood is fitted with activated carbon filters, they should be removed.

Connect the hood to the extraction ducts and wall outlets that have a diameter that is the same as the air outlet (connecting flange).

Using ducts and wall outlets that have a smaller diameter will reduce suction and lead to a large increase in noise.

We decline any responsibility if these instructions are not complied with.

! Use a duct of the minimum length necessary.

! Use a duct with as few bends as possible (maximum angle: 90°).

! Avoid drastic changes in the duct cross-section.

! Use a duct that is as smooth as possible inside.

! The duct must be made of certified material.

**Filter version**

The air will be degreased and deodorised before being returned to the room. To use the hood in this version you have to install an additional activated carbon filtration system.

Models without a suction motor only operate in ducting mode and must be connected to an external suction device (not supplied).

Connection instructions are supplied with the external suction unit.

Installation

The minimum distance between the pan supports on the hob and the lowest part of the hood must not be less than 50cm for electric hobs and 65cm from gas or mixed fuel hobs. If the installation instructions for the gas hob specify a greater distance, this must be complied with.

**Electrical connection**

The mains power supply voltage must be the same as that indicated on the plate inside the hood. If provided with a plug, connect the hood to a socket that is compliant with current regulations and located in an area that is accessible, even after installation. If it is not fitted with a plug (direct mains connection) or if the plug is not located in an accessible area after installation, use a compliant two-pole switch that assures the complete disconnection of the mains under over-current category III conditions, in accordance with installation regulations.

WARNING! Always make sure that the mains power cable has been installed correctly before re-connecting the hood to the mains power supply and making sure that it works correctly.

The hood is provided with a special power cable; if the cable is damaged, request a replacement from the technical support department.

Save this instructions

Mounting

Before installation:

- Make sure that the product is of a suitable size for the area in which it is to be installed.
- Remove the activated carbon filter(s) if supplied (see also relative section). This/these should be reinstalled only if you wish to use the hood in the filter version.
- Make sure that (for transport purposes) there are no other items inside the hood (e.g. packets of screws, guarantees etc.), which should be removed and kept.
- If possible, disconnect and move any units below and around the area of installation of the hood (wall or ceiling) in order to have better access. Otherwise, protect the furniture units and all the parts involved in the installation as much as possible. Select a flat surface on which to place the hood and the supplied parts and cover it with a protective cover.
- Also make sure that there is an electric socket available in the area in which the hood is











to be installed (which can be accessed even after the hood has been installed) and that it is possible to connect to a device that discharges the fumes to the outside (ducting version only).










- Carry out all the masonry work required (e.g. installation of an electrical socket and/or a hole for the passage of duct).

The hood is supplied with expansion plugs for fastening the hood to most types of walls/ceilings. However, a qualified technician should verify the suitability of the materials for the type of wall/ceiling. The wall/ceiling must be strong enough to support the weight of the hood.

Operation

Use the highest speed if there is a large amount of steam in the kitchen. It is recommended to switch on the suction 5 minutes before starting to cook and to leave it on for about another 15 minutes after cooking.

					
1	2	3	4	5	6
	<p>ON/OFF hood and speed 1: press button 1 to switch the hood on. The LED below the icon will light up. To switch off the hood, go back to the minimum speed by pressing button 1 and then press button 1 again to switch it off.</p>				
	<p>Speed 2: can be selected only after the hood has been switched on</p>				
	<p>Speed 3: can be selected only after the hood has been switched on</p>				
	<p>Intensive speed (boost): this speed is timed. The operating time is 5 minutes, after which the suction speed returns to speed 3. To switch off the function before the time elapses, press button 1, 2 or 3, the hood will go to the selected speed.</p>				

					
1	2	3	4	5	6
	<p>Timer operation: Programs automatic hood switch off. With the hood operating at any speed, press button 5, the relative LED will start to flash, indicating that this function is timed for 15 minutes. The speed can be changed during this time.</p> <p>To turn off the timer, press button 5 again or switch off the hood by pressing button 1, the LED switches off and the function is disabled. The hood will switch automatically to OFF, with all the LEDs turned off when the function ends.</p>				
	<p>Recirculation function</p> <p>When this function is enabled, the motor is switched on for 10 minutes and then it turns off for 50 minutes, every hour for 24 hours.</p> <p>To activate the air cleaning function, press and hold button 5 for 3 seconds; the LED button 5 remains on steadily.</p> <p>To turn the function off, press and hold button 5 for 3 seconds. The hood switches off.</p>				
	<p>Lights ON/OFF.</p>				

Grease filter signal

After 100 hours of operation, the **LED on button 5** switches on steadily.

When this signal appears, the grease filter needs to be cleaned.

The signal can be seen when the hood is in the **Extractor OFF** mode.

To cancel the grease filter signal, press and hold **button 1 for about 3 seconds** until it turns off.

Maintenance

WARNING! Before carrying out cleaning or maintenance, disconnect the hood from the mains power supply by removing the plug or switching off the main circuit breaker.

Cleaning

The hood should be cleaned, both internally and externally, regularly (at least as often as you service the grease filters). Use a cleaning cloth

moistened with neutral liquid detergents. Do not use abrasive products. **DO NOT USE ALCOHOL!**

Warning: Failure to follow the instructions for cleaning the appliance and replacing the filter can lead to the risk of fire. Follow the instructions carefully.

The manufacturer will not be held liable for any damage to the motor or fires caused by incorrect maintenance or failure to follow the above instructions.

Grease filter

Retains the particles of grease produced during cooking. It should be cleaned at least once a month (or when the filter saturation indication system - if installed on the model in your possession - indicates that it is necessary to do so) using a non-aggressive detergent, either by hand or with a short, low temperature, dishwasher cycle.

If washed in a dishwasher, the metal grease filter may change colour, but this does not affect its performance in any way.

Pull the spring release handle to remove the grease filter.

***NON-washable activated carbon filter (only for models provided with it)**

The carbon filter retains unpleasant cooking odours. The filter becomes saturated after a variable length of time, depending on the type of cooking and how often the grease filter is cleaned. In any case, the cartridge should be replaced at least every four months. This filter CANNOT be washed or regenerated.

***Washable activated carbon filter (only for models provided with it)**

The carbon filter retains unpleasant cooking odours. The carbon filter can be washed once every two months using hot water and suitable detergents, or in a dishwasher at 65°C (if a dishwasher is used, select the full cycle function without loading dishes).

Eliminate excess water without damaging the filter, then remove the mat from inside the plastic frame and place it in the oven for 10 minutes at 100°C to dry completely.

Replace the mat every 3 years and whenever the cloth is damaged.

Lamp Replacement

The hood is equipped with a LED lighting system.

The LEDs guarantee optimum lighting, last up to 10 times longer than traditional lamps, and allow energy savings of up to 90%.

For replacement, contact the technical support service.