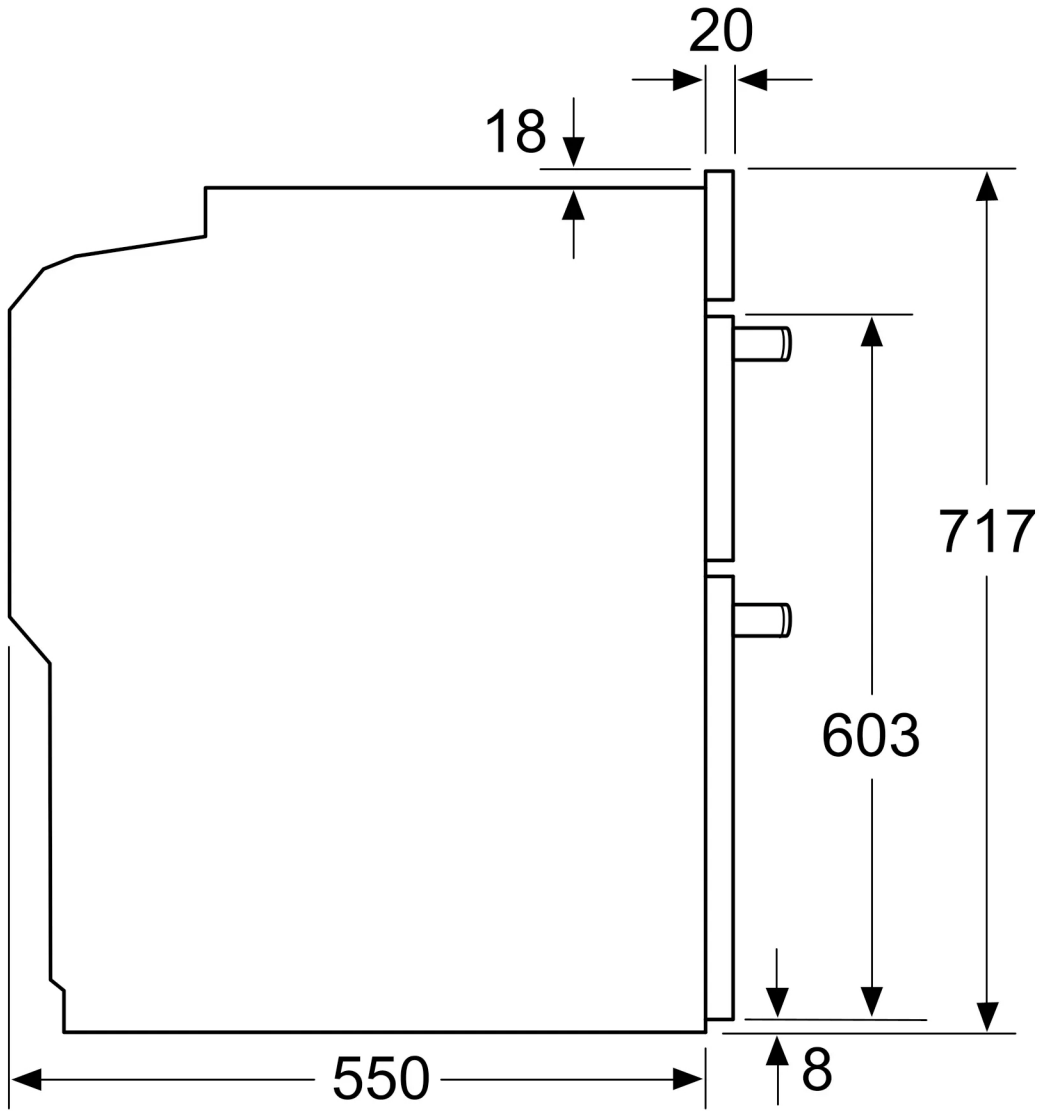
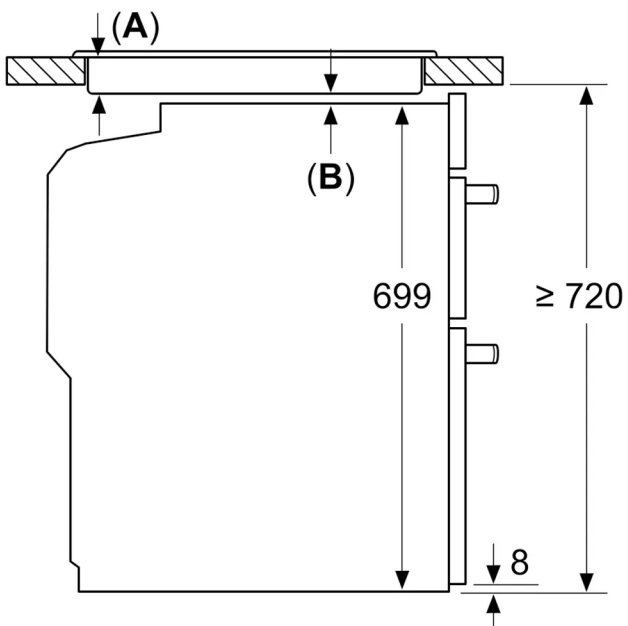




measurements in mm



measurements in mm  
Installation with a hob



- A:** Recessed depth 29-50 mm.  
See hob dimensional drawing.
- B:** Min. distance:
  - Induction hob: 5 mm
  - Gas hob: 5 mm
  - Electric hob: 2 mm