

**iQ500, Built-in oven, 60 x 60 cm,  
Stainless steel  
HB578GBS7B**



**Included accessories**

2 x combination grid, 1 x universal pan

**Optional accessories**

HZ32WA00	wireless roastingSensor
HZ530000	2 multipurpose pans, slim size
HZ538000	varioClip rail
HZ629070	Air Fry & Grill tray
HZ638000	Full ext rails, level independent
HZ65MA00	Assembly kit for vertical installation

Intelligence in your kitchen: Oven Assistant with Voice Control, activeClean for effortless oven cleaning for excellent results.

- ✓ Home Connect with Remote Control: Unlock the full potential of your smart oven. <sup>1</sup>
- ✓ Oven Assistant with Voice Control: Intuitively set the right programme.
- ✓ activeClean® – The automatic, self-cleaning oven system.
- ✓ cookControl30: automatic programs ensure best results.
- ✓ 3D hotAir Plus – Even heat distribution on up to three levels for excellent results.

**Features**

**Technical Data**

Built-in / Free-standing: ..... Built-in  
 Integrated Cleaning system: ..... Pyrolytic  
 Required niche size for installation (HxWxD): ..585-595 x 560-568 x 550 mm  
 Dimensions: ..... 595x594x548 mm  
 Dimensions of the packed product (HxWxD): .....675x660x690 mm  
 Control Panel Material: .....Glass  
 Door Material: .....Glass  
 Weight: ..... 36.9 kg  
 Usable volume of cavity: ..... 71 l  
 Heating Types: ..... Full width grill, Hotair gentle, Hot Air, Conventional heat, Pizza setting, low temperature cooking, coolStart, Hot air grilling  
 Length electrical supply cord: ..... 120 cm  
 EAN code: .....4242003956274  
 Number of cavities (2010/30/EC): .....1  
 Energy efficiency rating: ..... A+  
 Energy consumption per cycle conventional (2010/30/EC): .....0.94 kWh/cycle  
 Energy consumption per cycle forced air convection (2010/30/EC): 0.69 kWh/cycle  
 Energy efficiency index (2010/30/EC): ..... 81.2 %  
 Connection Rating: ..... 3600 W  
 Fuse protection: .....16 A  
 Nominal power: .....220-240 V  
 Frequency: .....50; 60 Hz  
 Plug type: .....no plug (electrical connection by electrician)  
 Included accessories: ..... 2 x combination grid, 1 x universal pan



<sup>1</sup> Some of the features displayed can be accessed only if the device is connected to a Home Connect Account and a SingleKey ID account via the Internet. Home Connect is a service of Home Connect GmbH. For more information on Home Connect, visit [www.home-connect.com](http://www.home-connect.com).

## iQ500, Built-in oven, 60 x 60 cm, Stainless steel HB578GBS7B

### Features

#### Features

- Oven with 8 main functions, 8 main functions heating methods: 3D hot air, conventional top & bottom heating, hot air grilling, full width grill, Pizza setting, coolStart, low temperature cooking, Hotair gentle
- Heating methods only via Home Connect App: air fry, bottom heating, let rest, preheating
- Temperature range 30 °C - 275 °C
- Cavity volume: 71 litres

#### Level independent telescopic rails

- 5 shelf positions in oven
- Cavity with shelf support rails

#### Design

- Stainless steel control dial, lightControl: intuitive operation thanks to the illuminated dials, round With steel trim
- Cavity inner surface: enamel anthracite

#### Cleaning

- activeClean
- Full glass inner door

#### Programmes/functions

- LCD Display (White)
- Electronic oven clock timer
- Digital temperature display with proposal
- Heating-up indicator
- cookControl
- Automatic start
- cookControl, 30
- Drop down oven door, softClose, softOpen
- Bar handle
- softOpen
- Automatic programmes
- Fast preheat
- coolStart
- Interior halogen light, Light on/off when door opened/closed
- Integral cooling fan
- WLAN - Home connect enabled

#### Accessories

- 2 x combination grid, 1 x universal pan

#### Features

- Maximum door temperature 30 °C
- Low door temperature during pyrolytic cleaning
- Quadruple glazed door with heat reflective glass glazed CoolTouch door
- Electronic door lock
- Control panel lock
- Automatic safety switch off
- Residual heat indicator

- Door contact switch

#### Technical information

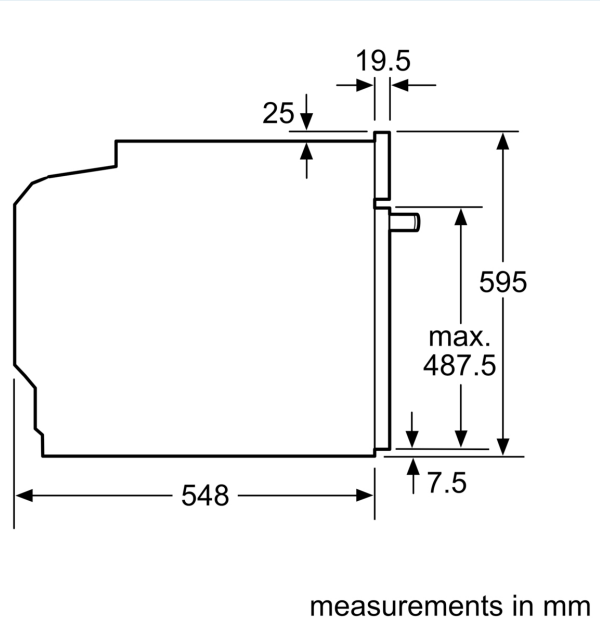
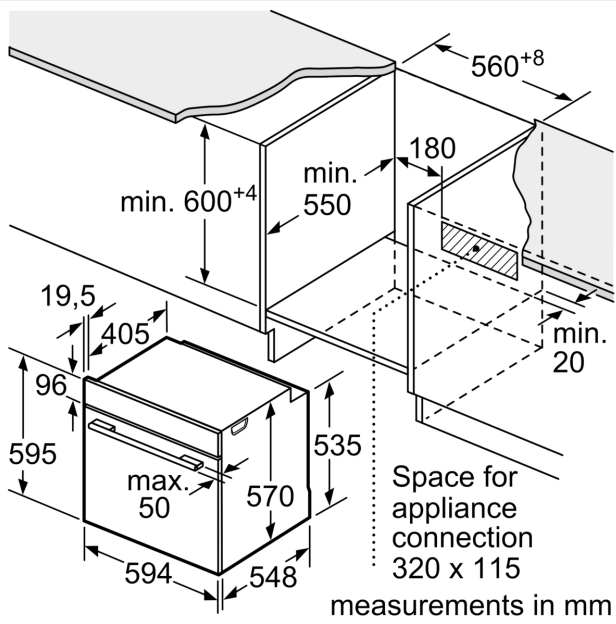
- 120 cm Cable length
- Nominal voltage: 220 - 240 V
- Total connected load electric: 3.6 KW
- Energy efficiency rating (acc. EU Nr. 65/2014): A+
- Energy consumption per cycle in conventional mode: 0.94 kWh
- Energy consumption per cycle in fan-forced convection mode: 0.69 kWh
- Number of cavities: Main cavity
- Heat source: electrical
- Cavity volume: 71 litres

#### Performance/technical information

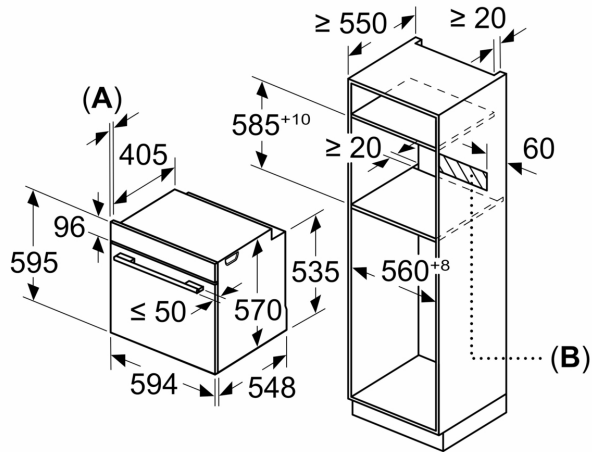
- Appliance dimension (hxwx): 595 mm x 594 mm x 548 mm
- Niche dimension (hxwx): 585 mm - 595 mm x 560 mm - 568 mm x 550 mm
- "For-details-on-installation-and-ventilation requirements – please refer to the installation manual prior to fitting."
- We recommend you to choose complementary products within iQ500, in order to assure an optimal design combination of your Built-In appliances.

**iQ500, Built-in oven, 60 x 60 cm,  
Stainless steel  
HB578GBS7B**

**Dimensioned drawings**



**Measurements in mm**



**A:** 19.5 mm  
**B:** Space for appliance connection 320 x 115 mm

**Installation with a hob.**

