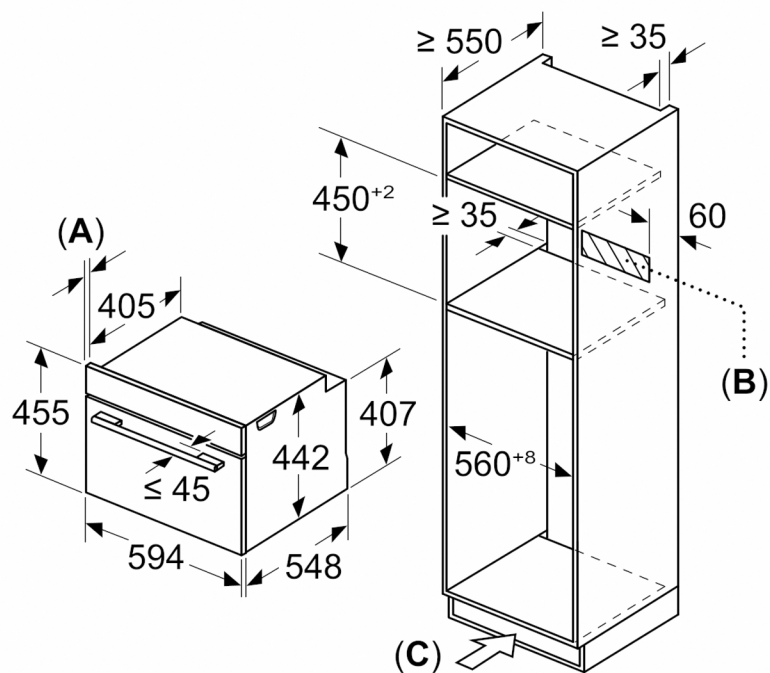


Measurements in mm

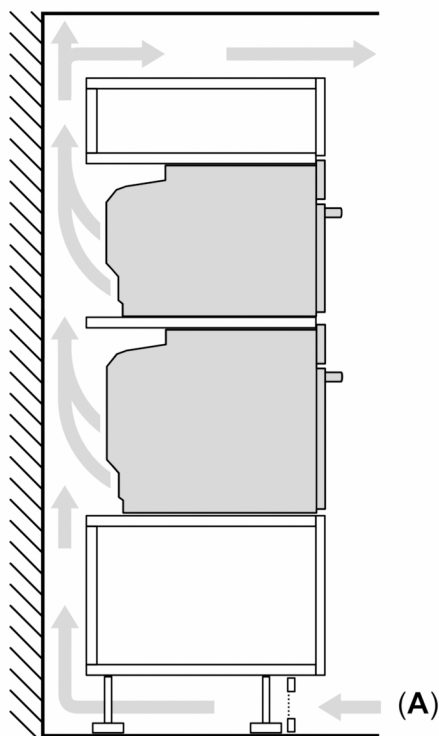


A: 19.5 mm

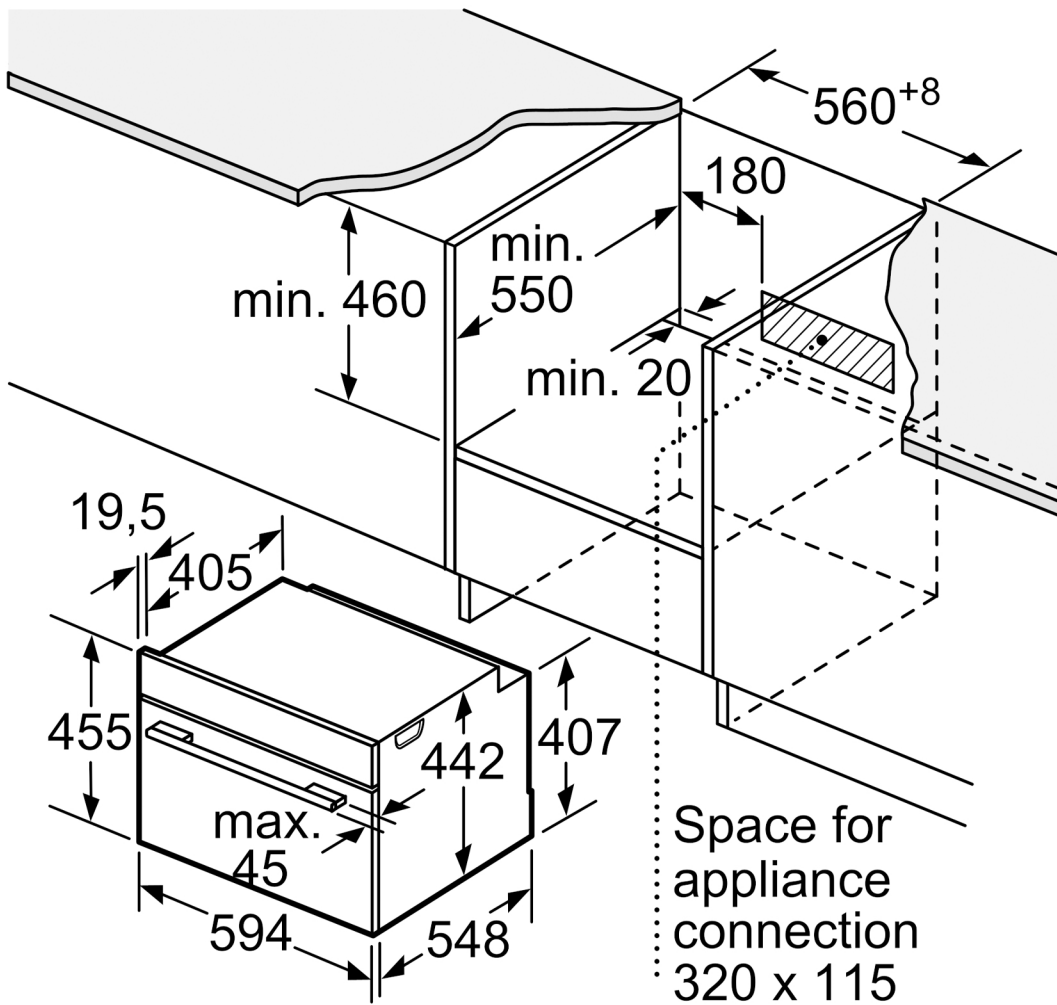
B: Space for appliance connection
320 x 115 mm

C: Ventilation space in the base \geq
200 cm²

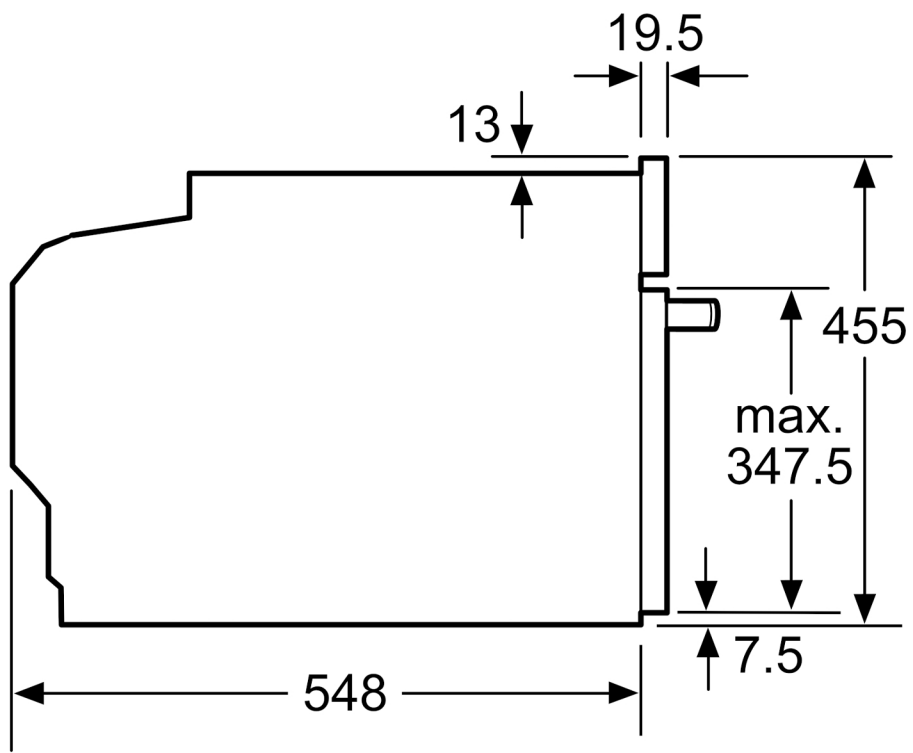
Installing two appliances on top of each other
Air exchange



A: Air inlet \geq 200 cm²

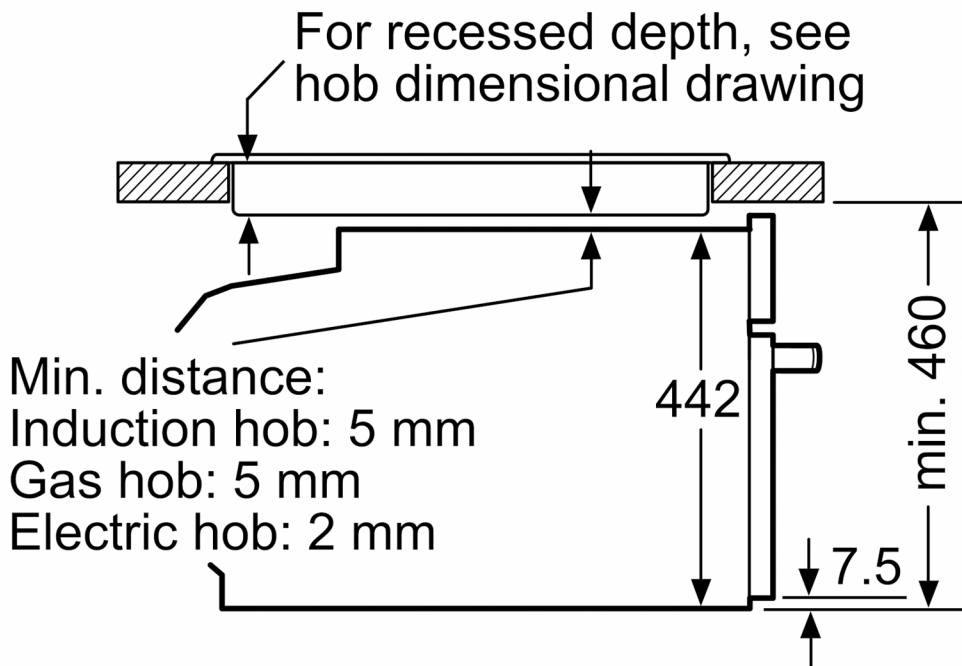


measurements in mm



measurements in mm

Installation with a hob.



measurements in mm

If the compact appliance will be installed underneath a hob, the following worktop thicknesses (including substructure if necessary) must be taken into account.

Hob type	min. worktop thickness	
	fitted	flush
Induction hob	42 mm	43 mm
Full surface Induction hob	52 mm	53 mm
Gas hob	32 mm	43 mm
Electric hob	32 mm	35 mm