

**Series 4, Built-in microwave oven,  
Stainless steel  
BFL523MS0B**



1 x Turntable

HEZ86D000 Steamer Cooker Accessory for Microwave

- **AutoPilot 7:** every dish is a perfect success thanks to 7 pre-set automatic programmes.
- **Red LED display control:** easy-to-use thanks to the time functions.
- **Pop-out controls:** Make the front of the oven easy to clean and give it a sleek look.
- **White LCD display control:** easy-to-use thanks to direct access to additional functions, temperature recommendation and temperature indication.
- **Cleaning Assistance:** less cleaning effort thanks to the new cleaning option, which can be especially used for cleaning of light soiling.

Type of micro-wave oven: ..... MW only  
 Type of control: .....Electronic  
 Dimensions: ..... 382x594x317 mm  
 Cavity dimensions: ..... 201 x 308 x 282 mm  
 Length electrical supply cord: ..... 130.0 cm  
 Net weight: ..... 15.3 kg  
 Gross weight: ..... 17.6 kg  
 EAN code: ..... 4242005038862  
 Max. microwave power level: ..... 800 W  
 Connection rating: ..... 1270 W  
 Fuse protection: .....10 A  
 Voltage: ..... 230-240 V  
 Frequency: ..... 50 Hz  
 Plug type: ..... GB plug  
 Included accessories: .....1 x Turntable



## **Series 4, Built-in microwave oven, Stainless steel BFL523MS0B**

---

### **Design**

- LED Display, red display
- Side opening door, left hinged
- 25.5 cm Glass turntable
- Cavity inner surface: stainless steel
- Electronic clock timer
- Rotary dial, Retractable control dials, Touch controls, round, Start button
- Touch key operation

### **Features**

- Automatic safety switch off
- Door contact switch
- AutoPilot, 7
- LED light
- Integral cooling fan
- Electronic open button

### **Programmes/functions**

- Maximum microwave power level: 800 W and the following options  
180 W, 360 W, 600 W, 800 W, 90 W
- 4 defrost and 3 cooking programmes in microwave function
- 1 memory setting

### **Accessories**

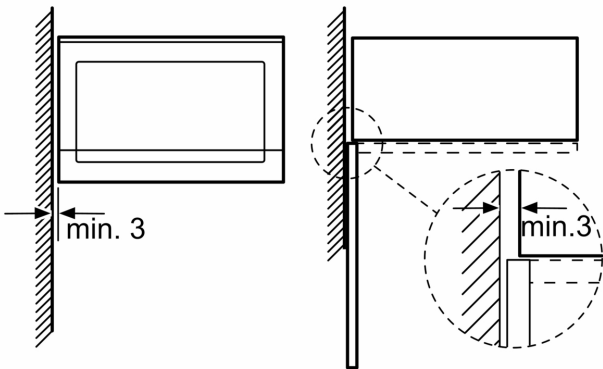
- 1 x Turntable

### **Performance/technical information**

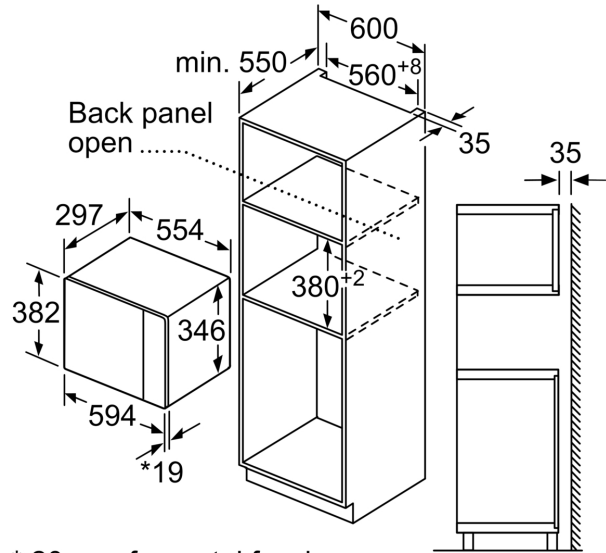
- Cavity volume: 20 l
- 130 cm Cable length
- Total connected load electric: 1.27 KW
- Nominal voltage: 230 - 240 V
- Appliance dimension (hxwxd): 382 mm x 594 mm x 317 mm
- Niche dimension (hxwxd): 362 mm - 365 mm x 560 mm - 568 mm x 300 mm
- For installation into a 60 cm wide wall unit, installation in tall housing
- Please refer to the dimensions provided in the installation manual

**Series 4, Built-in microwave oven,  
Stainless steel  
BFL523MS0B**

Microwave,  
corner installation



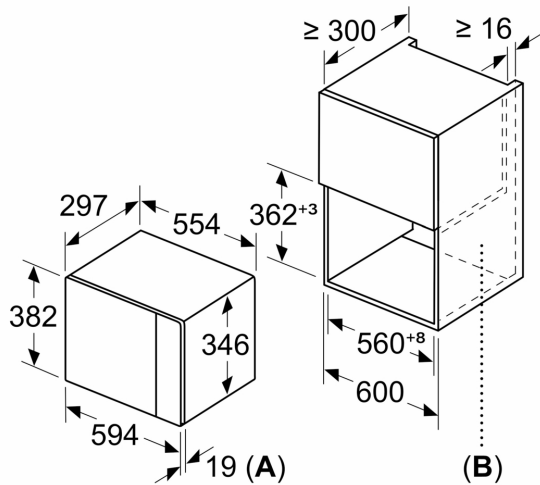
Measurements in mm



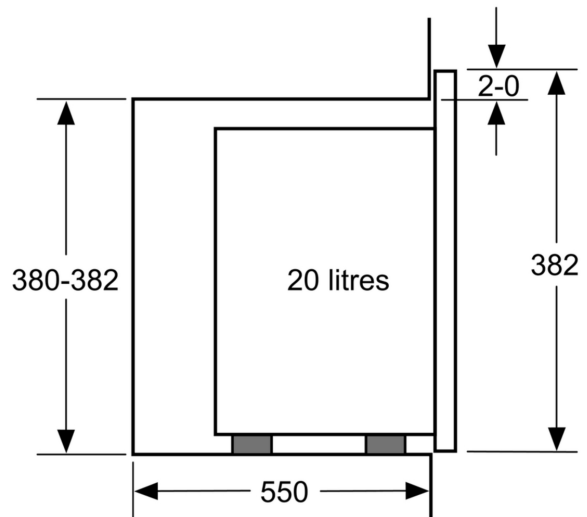
\* 20 mm for metal fascia

measurements in mm

Measurements in mm



**A:** 20 mm for metal fascia  
**B:** Back panel open



measurements in mm

