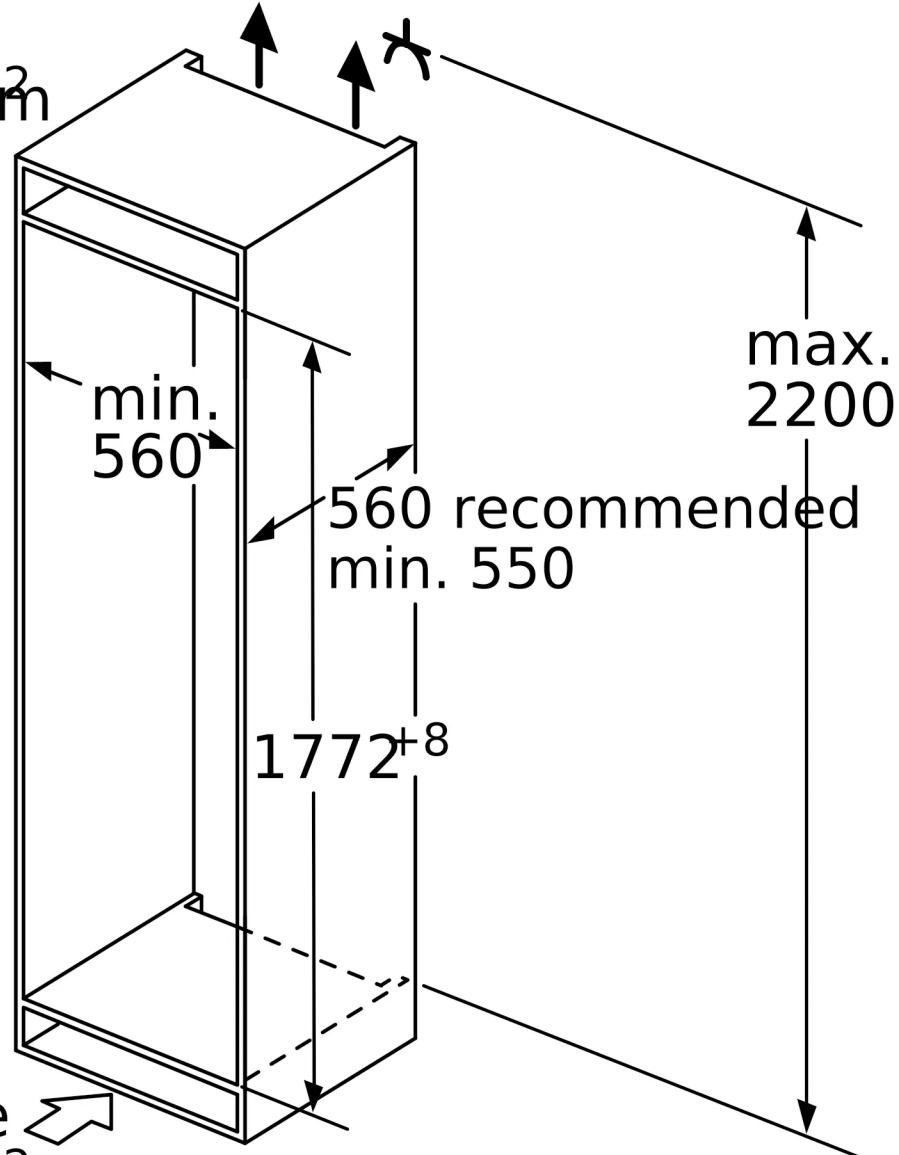


Air outlet
min. 200 cm²



Ventilation
space
in the base
min. 200 cm²

Measurements in mm