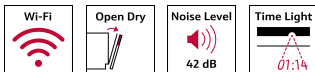


N 70, FULLY-INTEGRATED DISHWASHER, 60 CM
S187ECX23G



The dishwasher with cutlery drawer that's flexible to load and offers the comfort of door opening with a light push.

- ✓ Home Connect – Add your dishwasher to your home network and enjoy the infinite possibilities of connected services
- ✓ Flex 2 Baskets – Flexible baskets, Rack Matic and Flex Cutlery Drawer offers easy loading solutions
- ✓ Open Dry – Automatic door opening during the drying phase for even better drying results
- ✓ Noise Level 42dB – Pleasantly quiet at 42dB
- ✓ TimeLight – the time remaining in the programme is projected onto the floor

Features

Technical Data

Energy Efficiency Class: D
 Energy Consumption for 100 cycles Eco Programme: 85 kWh
 Maximum number of place settings: 14
 The water consumption of the eco programme in liters per cycle: 9.5 l
 Programme duration: 4:35 h
 Airborne acoustical noise emissions : 42 dB(A) re 1 pW
 Airborne acoustical noise emission class: B
 Built-in / Free-standing: Built-in
 Height of removable worktop: 0 mm
 Dimensions of the product (HxWxD): 815 x 598 x 550 mm
 Min. required niche size for installation (HxWxD): 815-875 x 600 x 550 mm
 Depth with open door 90 degree: 1150 mm
 Adjustable feet: Yes - all from front
 Maximum adjustability feet: 60 mm
 Adjustable plinth: Both horizontal and vertical
 Net weight: 43.2 kg
 Gross weight: 45.0 kg
 Connection Rating: 2400 W
 Fuse protection: 10 A
 Voltage: 220-240 V
 Frequency: 50; 60 Hz
 Length electrical supply cord: 175.0 cm
 Plug type: GB plug
 Length inlet hose: 165 cm
 Length outlet hose: 190 cm
 EAN code: 4242004257332
 Installation typology: Full-integrated

Optional accessories

Z7863X0	Cutlery basket
Z7863X1	Rack insert for stemware dishwasher
Z7863X8	Wine glass holder
Z7865X6	Attachment door, brushed steel
Z7870X0	Accessories dishwasher
Z7871X0	Silver polishing cassette
Z7880X0	Accessories dishwashers
Z788BI00	Connection rail for divided furniture
Z7710X0	inlet and outlet hose extension
Z780BI01	decorative strips stainless steel 81,5cm
Z7860X3	Stainless steel protection set 81,5 cm



N 70, FULLY-INTEGRATED DISHWASHER, 60 CM S187ECX23G

Features

New for 2021

Performance

- Energy Efficiency Class¹: D
- Energy² / Water³: 85 kWh / 9.5 litres
- Capacity: 14 place settings
- Programme duration⁴: 4:35 (h:min)
- Noise level: 42 dB(A) re 1 pW
- Noise Efficiency Class: B
- Noise level (silence programme): 39 dB(A) re 1 pW

Programmes / functions

- 8 programmes: Eco 50 °C, Auto 45-65 °C, Chef 70 °C, Classic 60 °C, Express 45 °C, Glass 40 °C, Silence 50 °C, Favourite
- Default favourite programme: Pre-Rinse
- 4 special options: Remote Start, Extra Dry, Power Zone, Extra Speed
- Easy Clean Programme
- Silence on Demand (via app)

Flexible design elements

- Flex 2 baskets with coloured TouchPoints
- Flex Cutlery Drawer - loading on 3rd level
- 3 stage Rackmatic height-adjustable top basket
- Ball bearing wheels on upper basket
- Low friction wheels on bottom basket
- Anti-slip protection strips in upper basket
- Rack Stopper to prevent derailing of bottom basket
- 6 foldable plate racks in top basket
- 6 foldable plate racks in bottom basket
- Upper rack cup shelf
- Lower rack cup shelf
- Glass rack in bottom basket

Innovations and technology

- Home Connect - Wi Fi enabled, for dishwasher control
- Open Dry and Heat Exchanger
- Efficient SilentDrive BLDC motor
- DosageAssist detergent dispenser
- DetergentAware
- AquaSensor®
- Neff Sparkle - glass care system

Design features

- TouchControl (metallic)
- Push button top controls
- White interior EmotionLight
- Time Light - Light projection on the floor
- doorOpen Assist - Simple to use, designed for handleless kitchens
- Acoustic end of cycle indicator, remaining programme time indicator on top edge, water fault indicator
- Time delay (3, 6 or 24 hours)
- Childlock - when activated double push to open
- Aqua Stop: Neff's warranty in case of water damage – throughout

the lifetime of the appliance.*

- Self-cleaning filter system with 3 piece corrugated filter
- Large item spray head, steam protection plate
- Stainless steel interior
- Dimensions (HxWxD): 81.5 x 59.8 x 55cm

¹ Scale of Energy Efficiency Classes from A to G

² Energy consumption in kWh per 100 cycles (in programme Eco 50 °C)

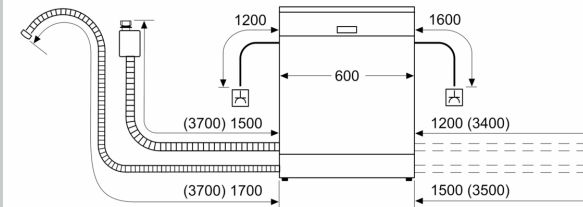
³ Water consumption in litres per cycle (in programme Eco 50 °C)

⁴ Duration of programme Eco 50 °C

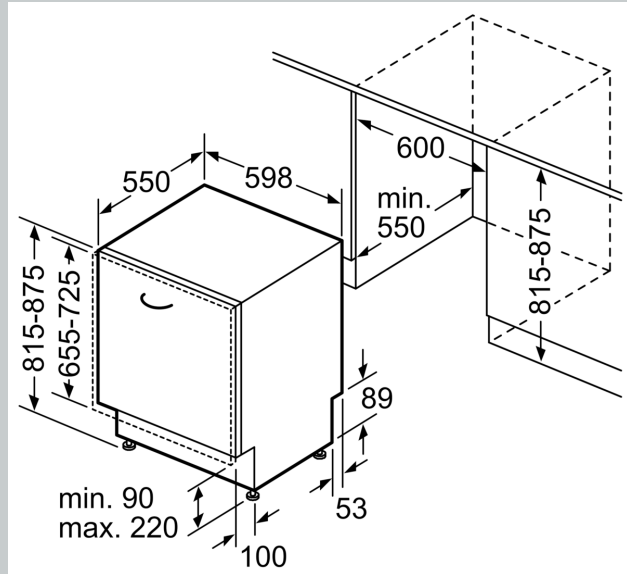
N 70, FULLY-INTEGRATED DISHWASHER, 60 CM
S187ECX23G

Dimensioned drawings

measurements in mm



⏏ socket
() values with extension kit



measurements in mm