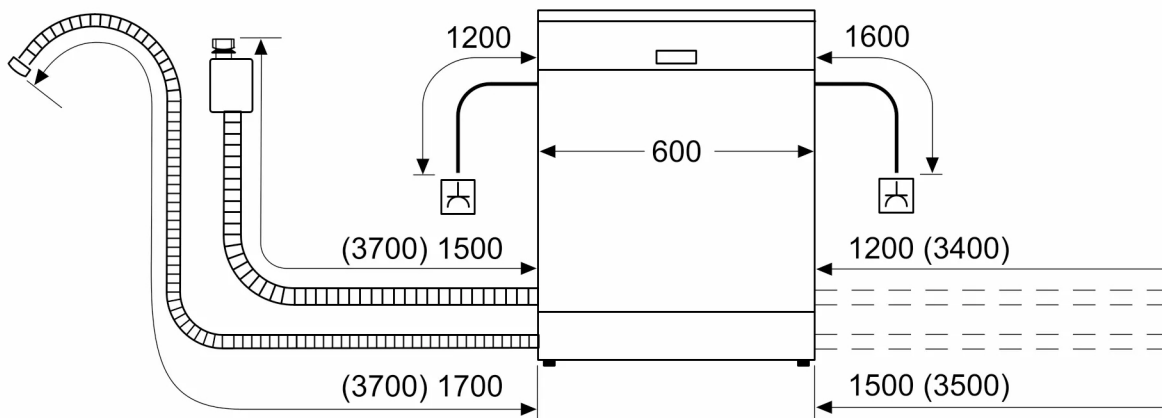
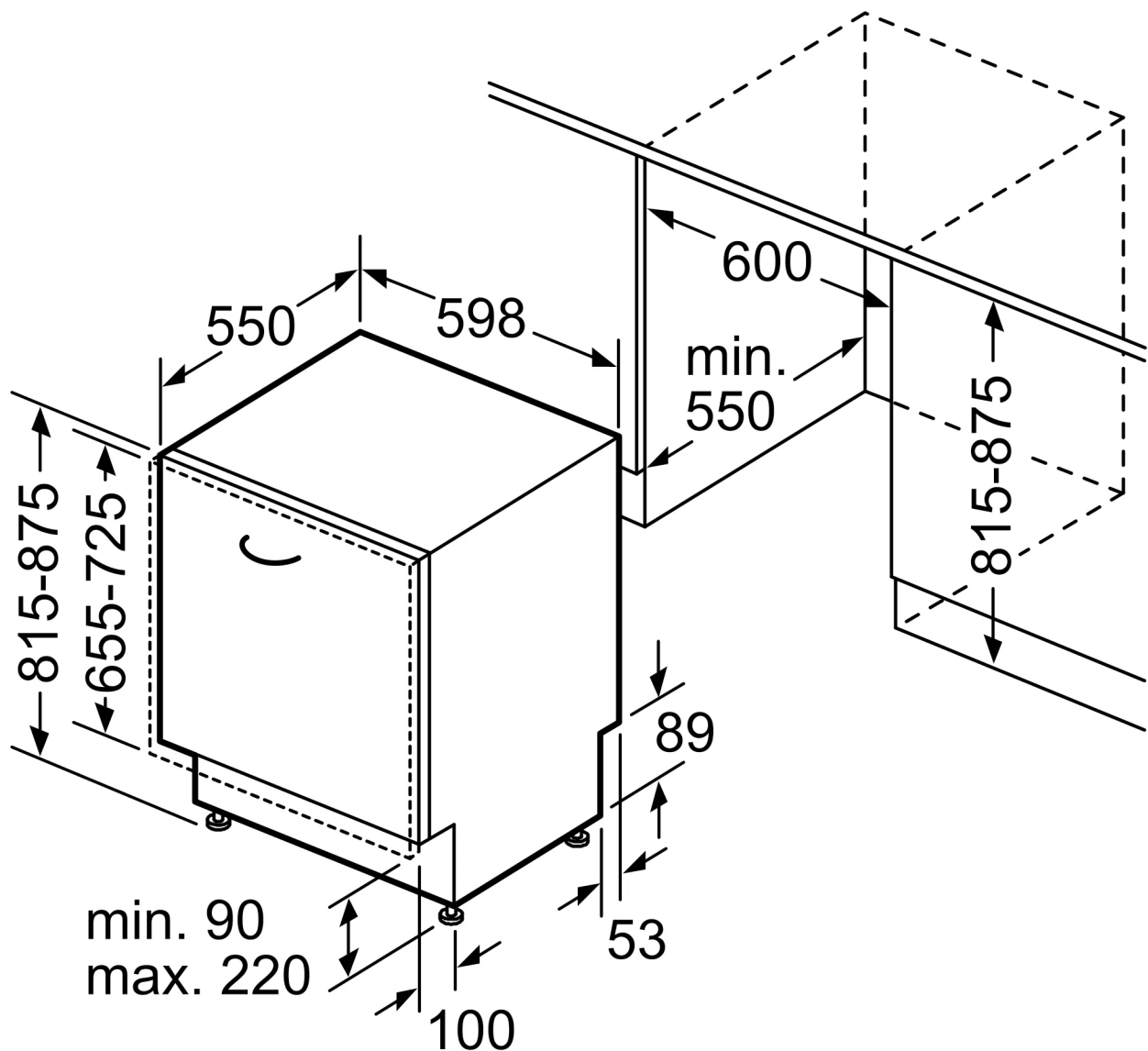


measurements in mm



⊕ socket

() values with extension kit



measurements in mm