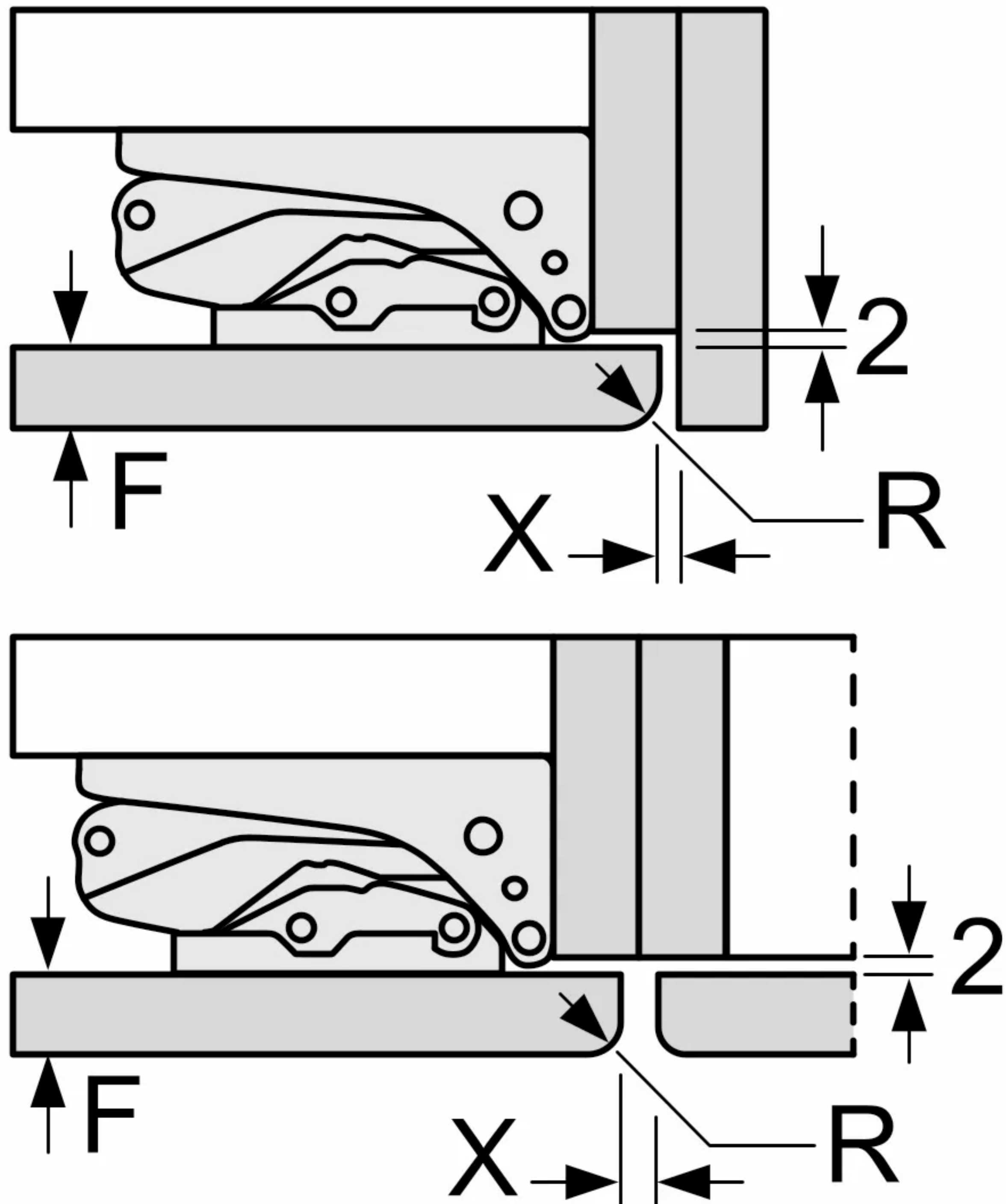


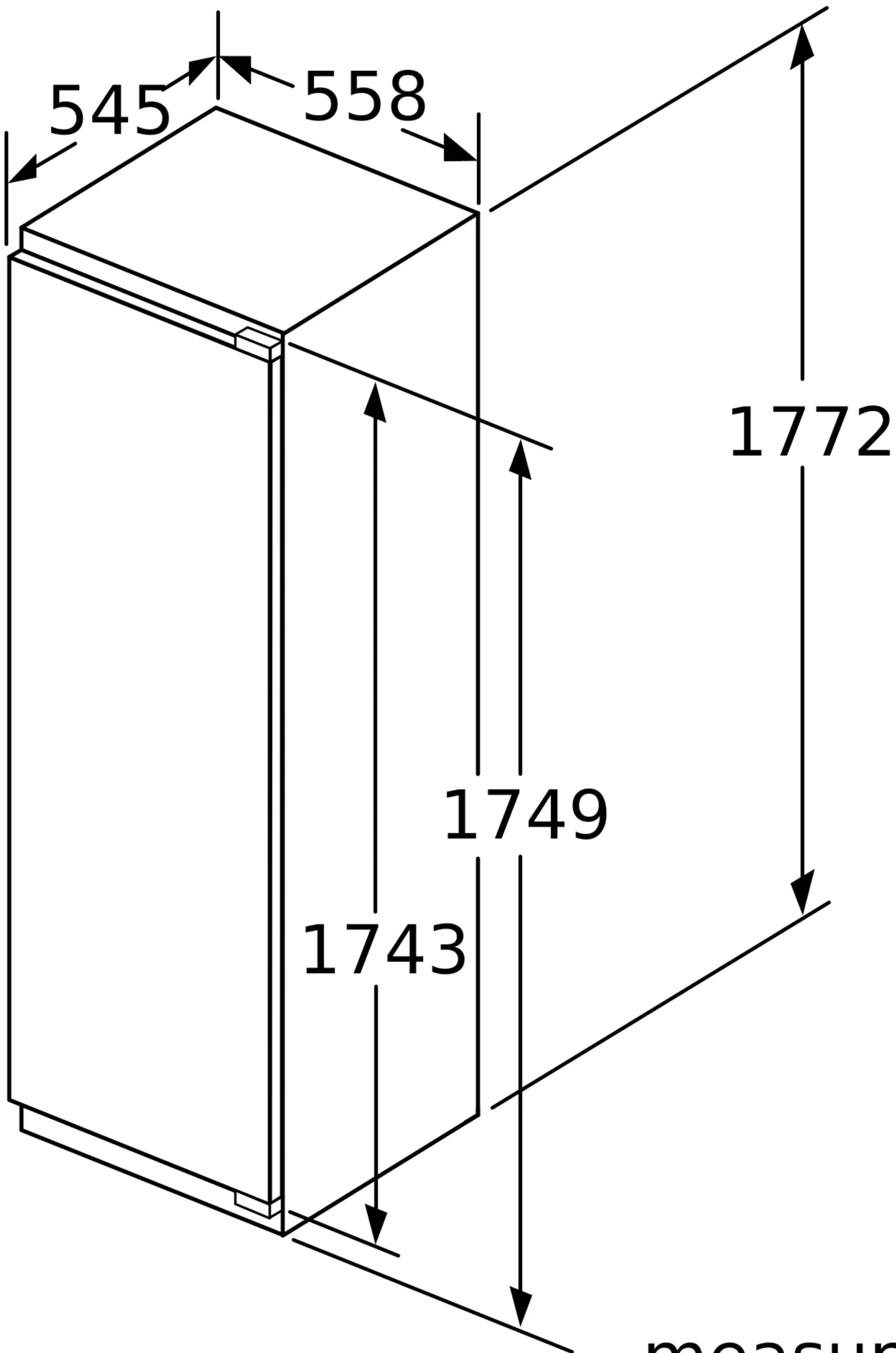
measurements in mm

Recommended gap dimensions for flat hinges



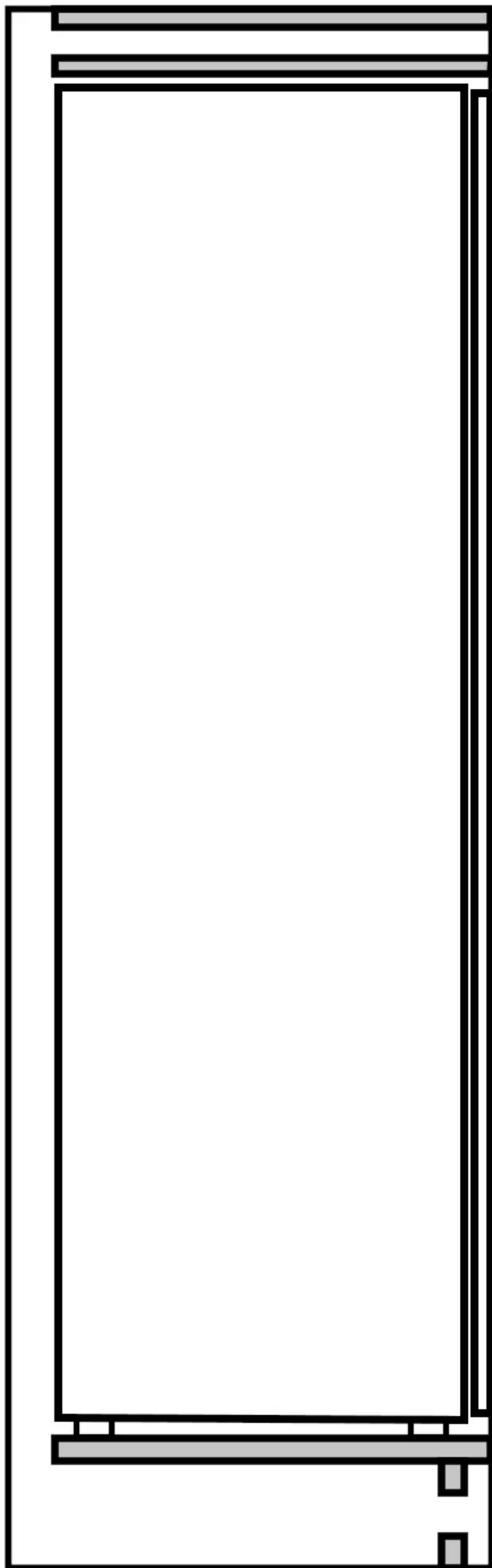
F	R	X
16-19	0-3	2.5
20	0-1	3
	2-3	2.5
21	0-1	3
	2-3	2.5
22	0	4
	1	3.5
	2-3	3

The gap dimensions recommended in the table must be adhered to in order to ensure that appliance doors do not collide with anything when they are opened, and to avoid causing damage to kitchen units.



measurements in m

min. 40



B



Front panel
overhang

1772 A+B (max.)

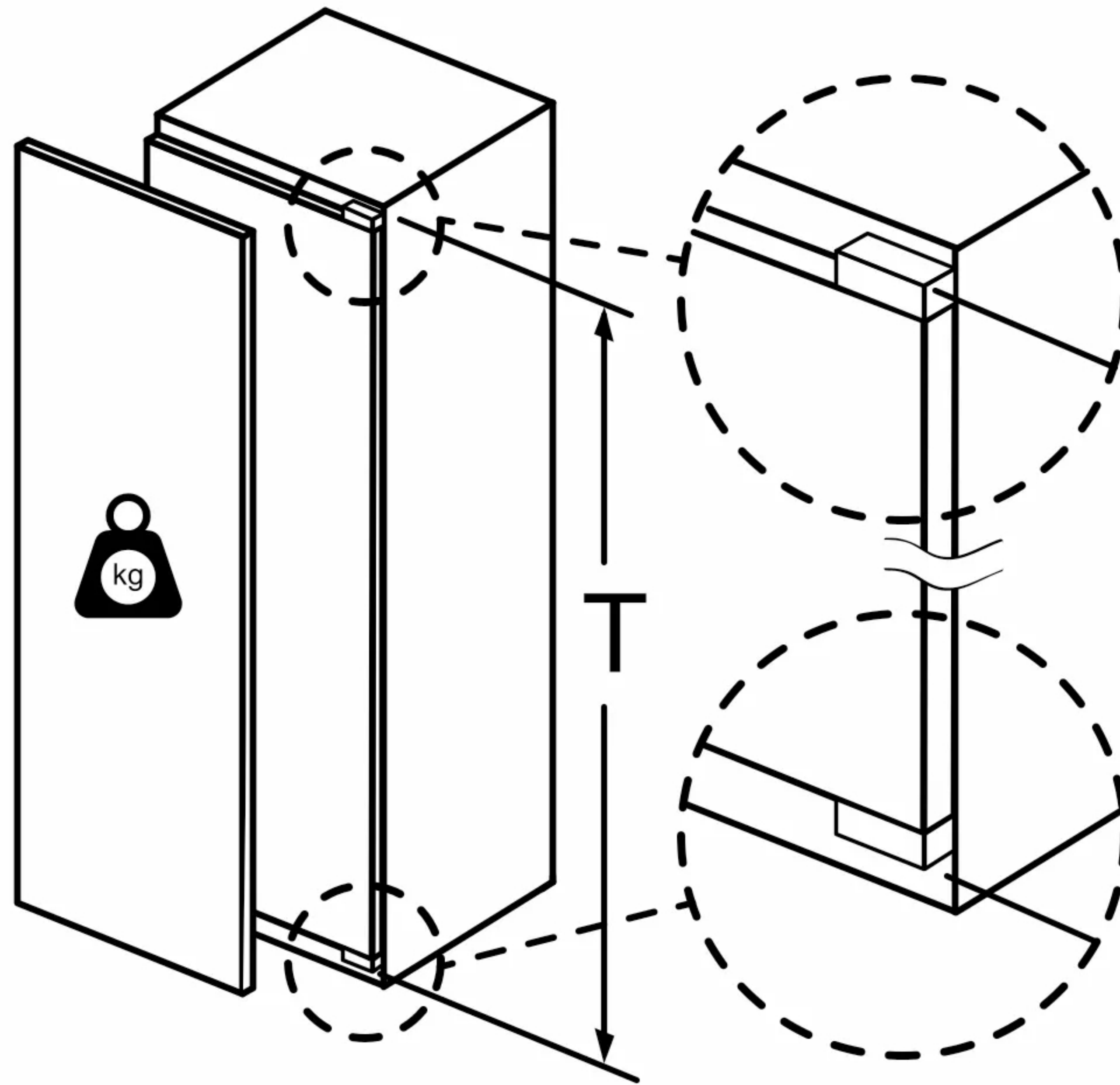


A

Lower edge of
front panel

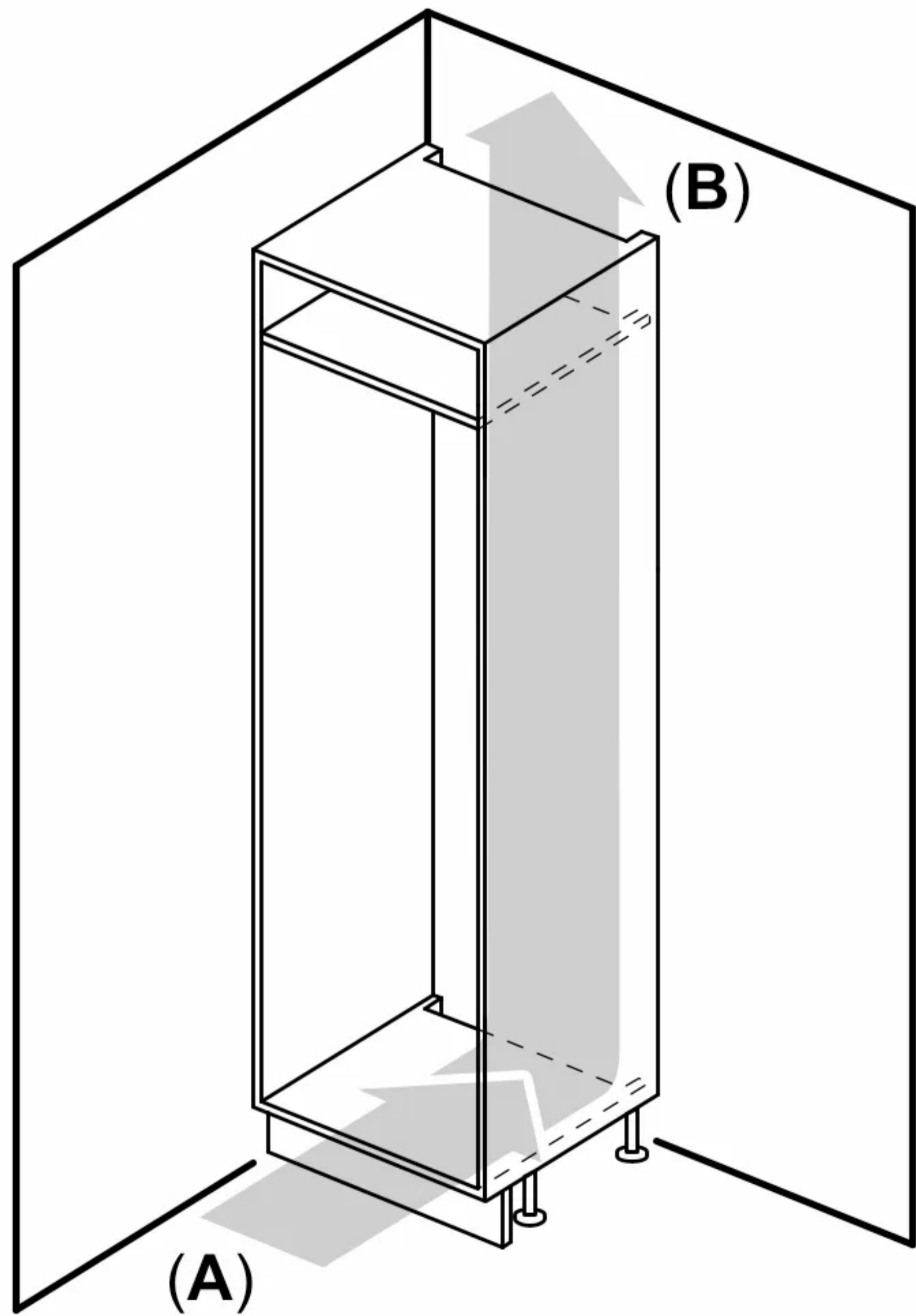
measurements in mm

Maximal permissible weight of the unit fronts



Fitted kitchen unit doors that exceed the permissible weight may cause damage and result in functional impairment of the hinges.

T: Includes height of appliance door Hinges in mm:	undamped hinge, Door in kg:	damped hinge, Door in kg:
1500-1750	22	22



A: Air inlet $\geq 200 \text{ cm}^2$; Ventilation options
B: Air outlet $\geq 200 \text{ cm}^2$; Ventilation options

