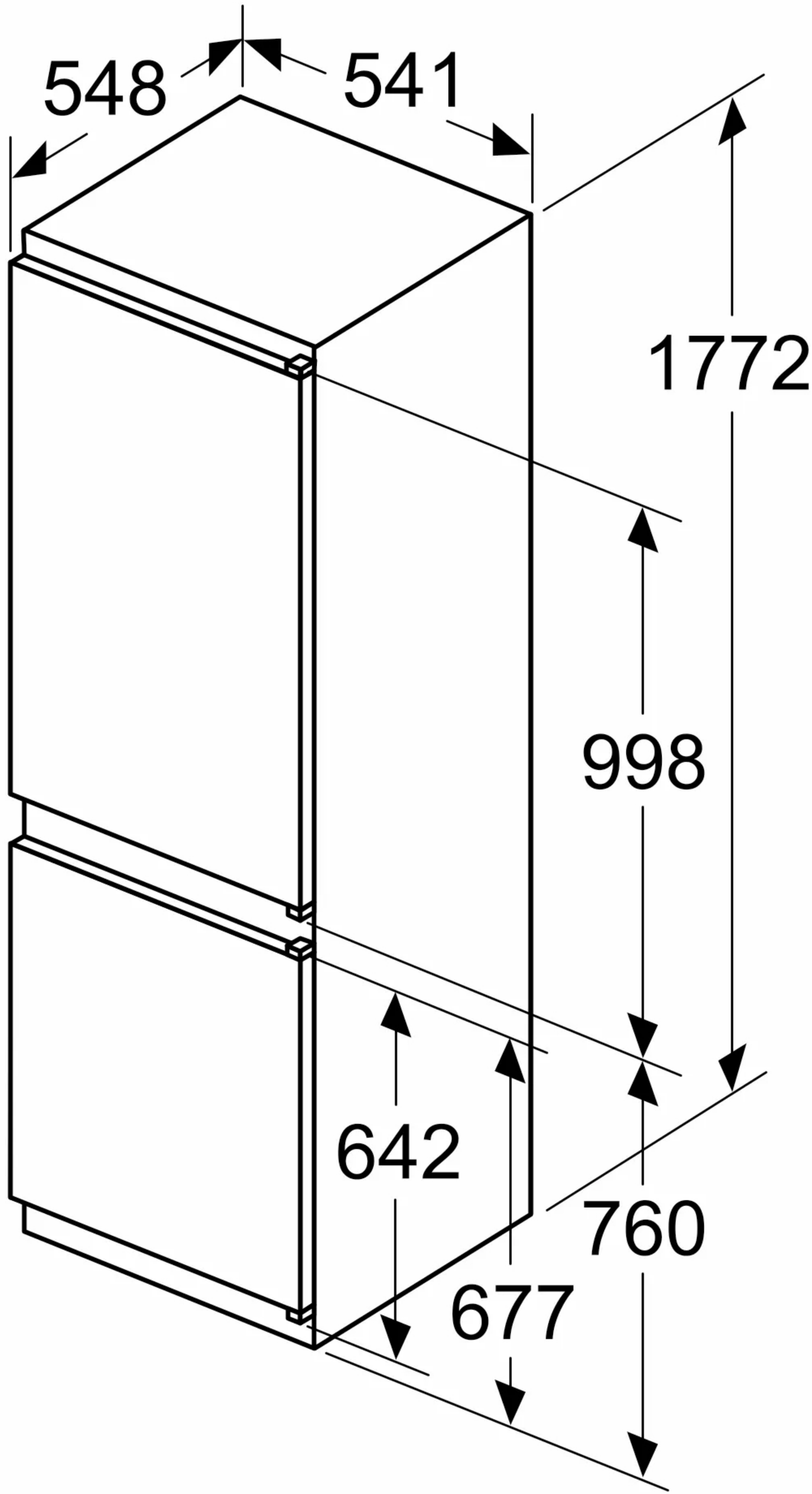
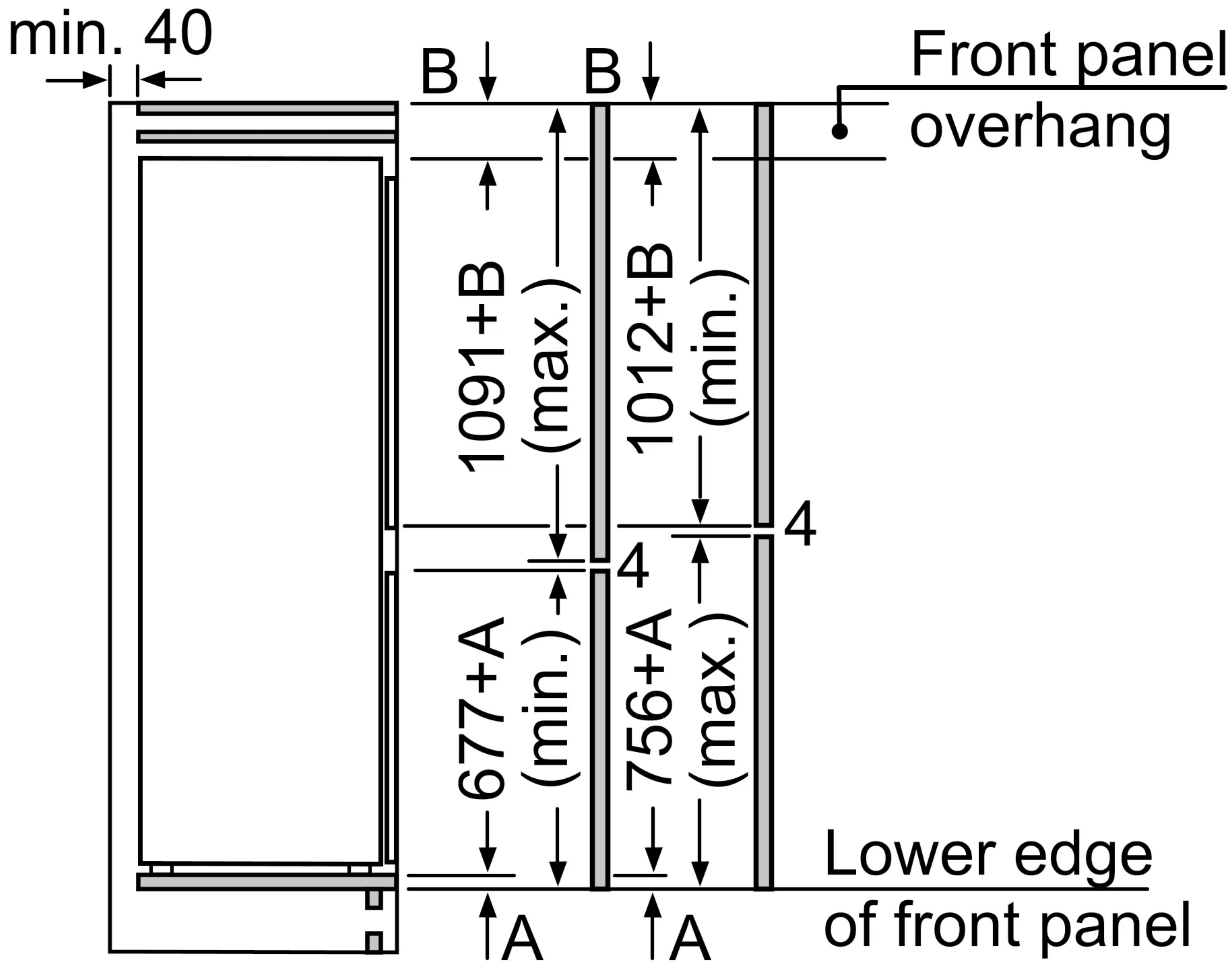


measurements in mm

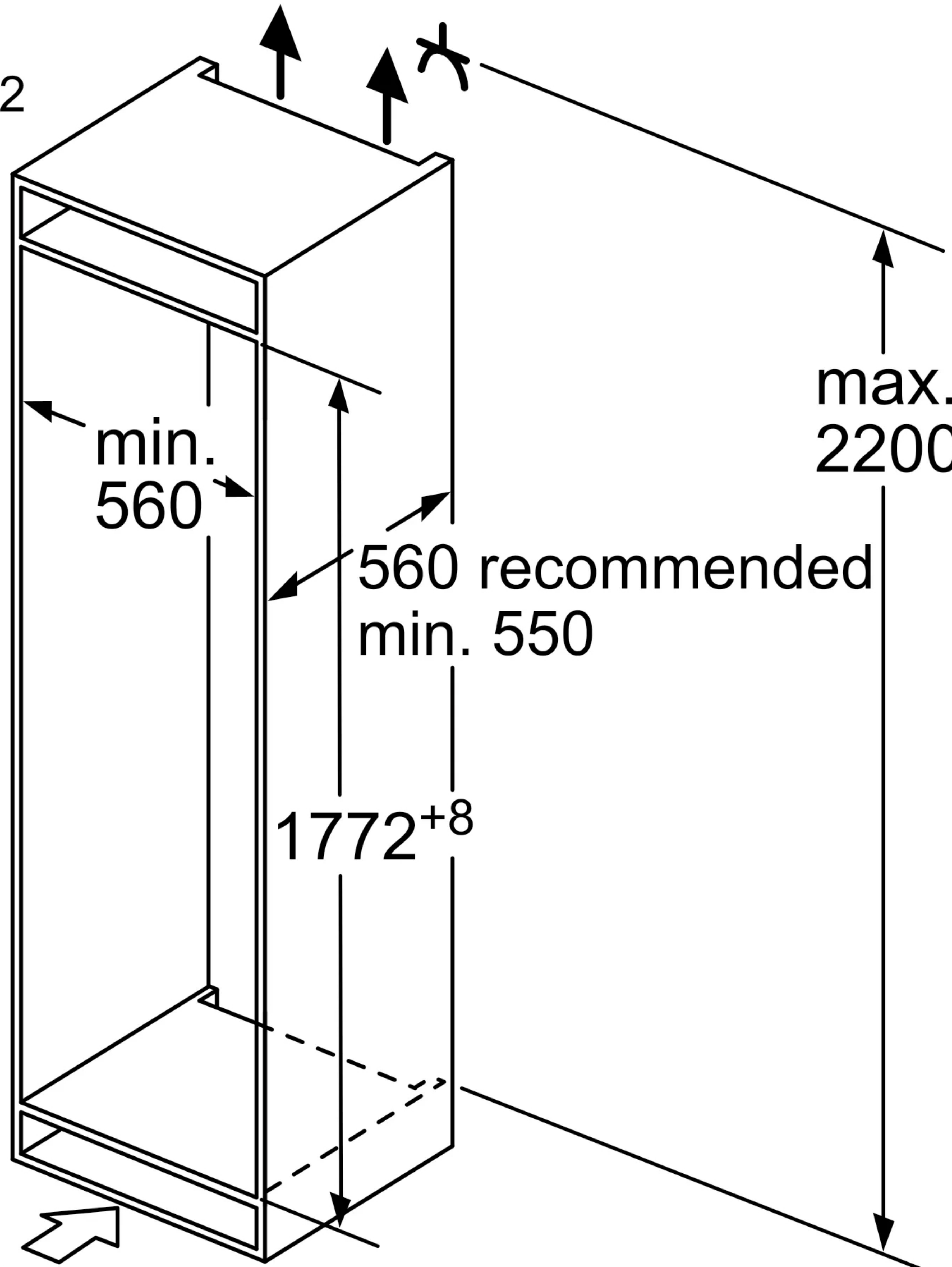




The specified unit door dimensions are valid for a door gap of 4 mm.

measurements in mm

Air outlet
min. 200 cm²



max.
2200

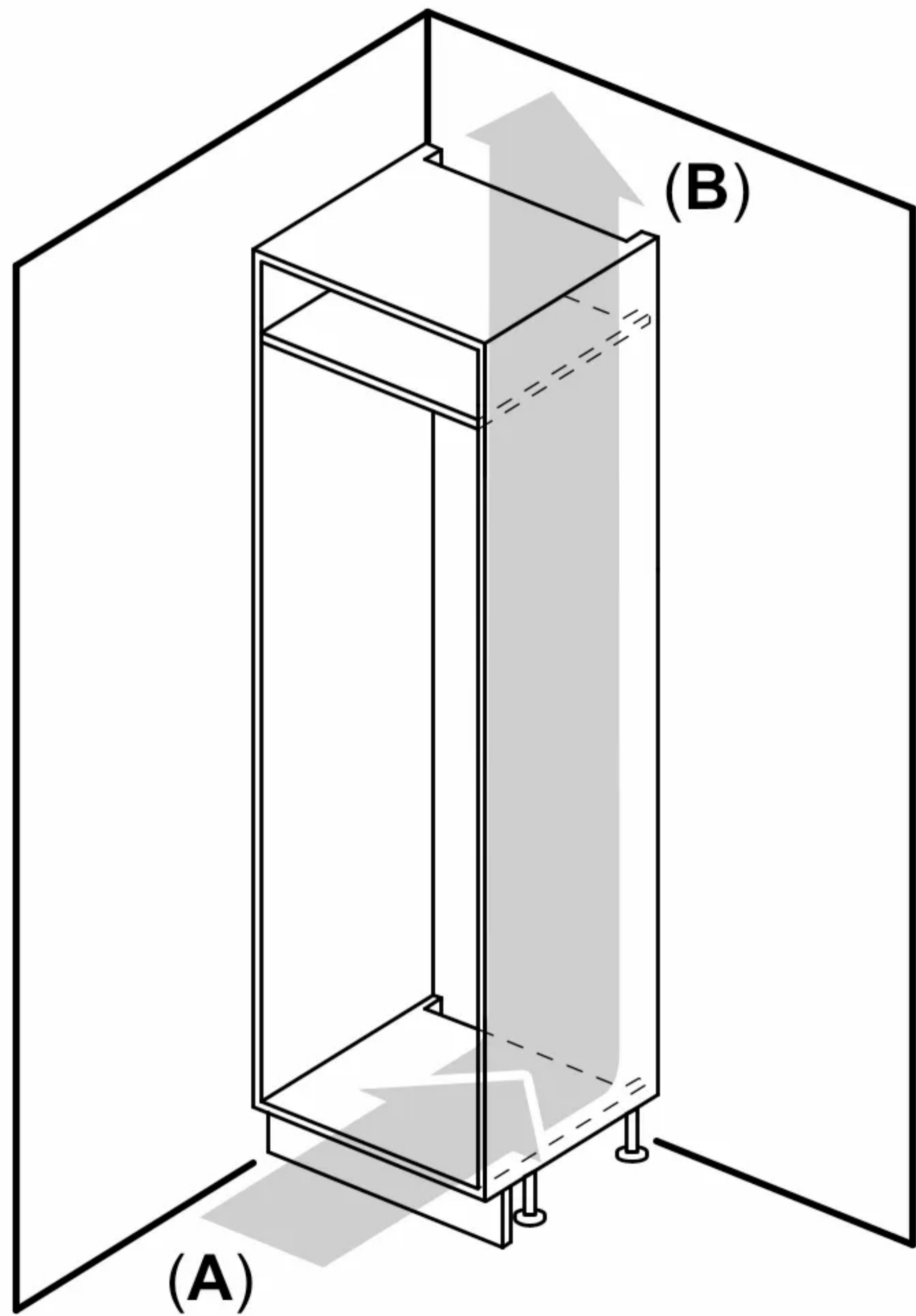
min.
560

560 recommended
min. 550

1772⁺⁸

Ventilation
space in
the base
min. 200 cm²

measurements in mm



A: Air inlet $\geq 200 \text{ cm}^2$; Ventilation options
B: Air outlet $\geq 200 \text{ cm}^2$; Ventilation options

