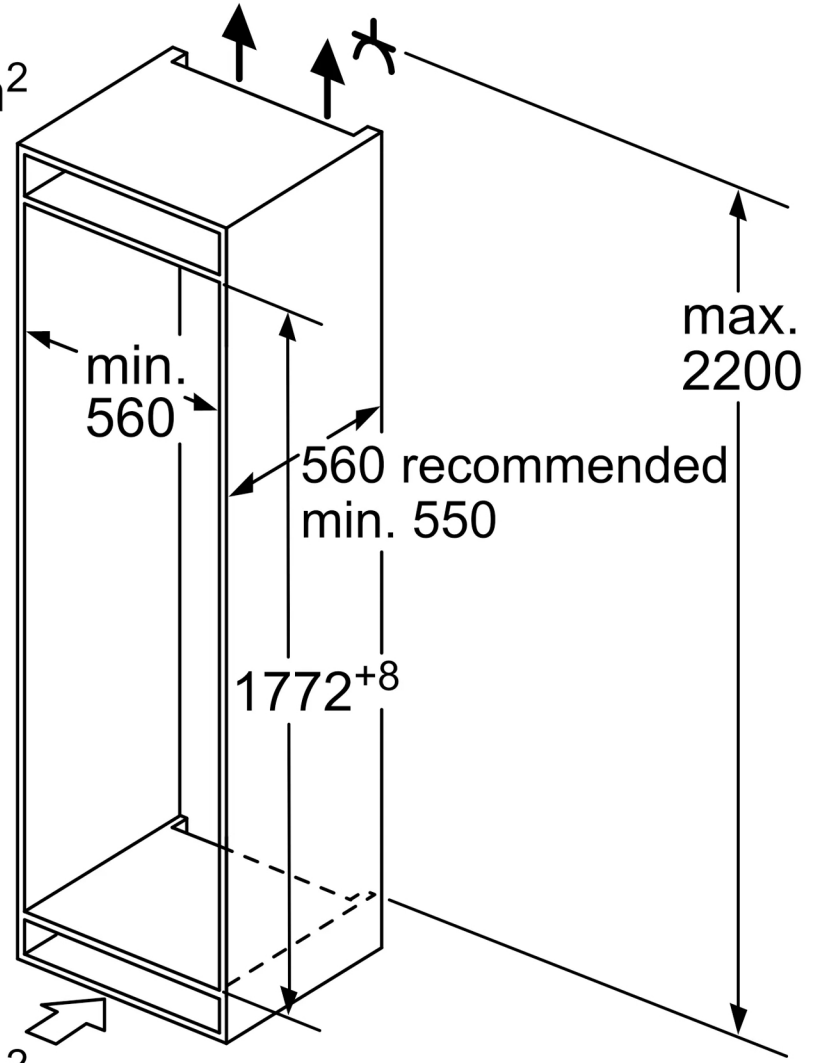


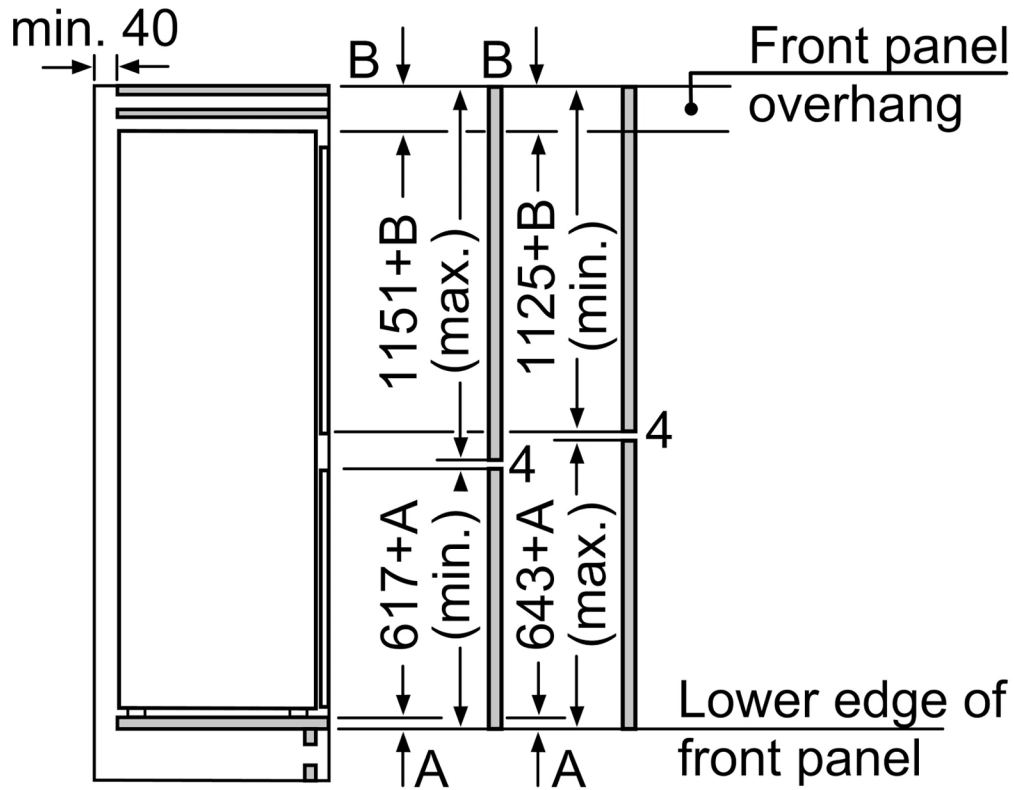
measurements  
in mm

Air outlet  
min. 200 cm<sup>2</sup>

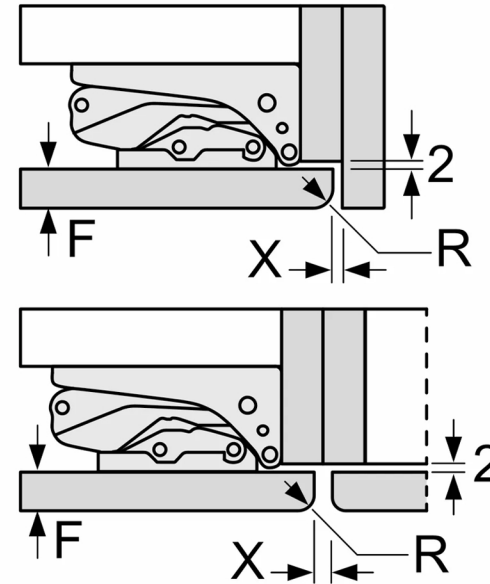


Ventilation  
space  
in the base  
min. 200 cm<sup>2</sup>

measurements in mm



measurements in mm  
Recommended gap dimensions for flat hinges

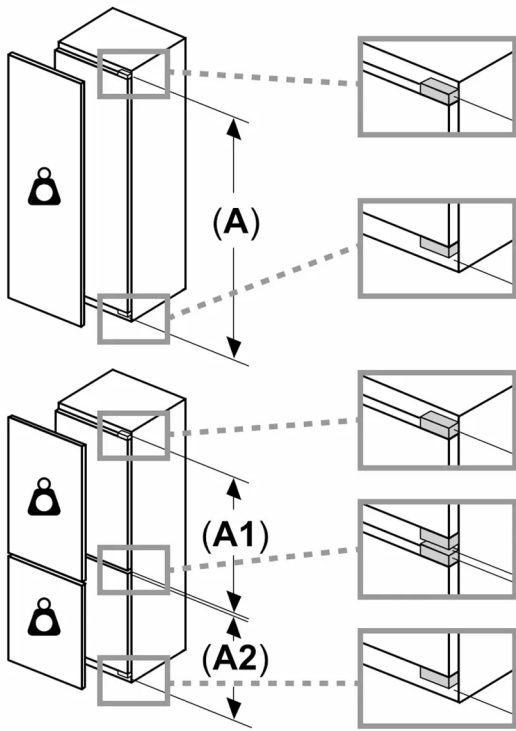


F	R	X
16-19	0-3	2.5
20	0-1	3
	2-3	2.5
21	0-1	3
	2-3	2.5
22	0	4
	1	3.5
	2-3	3

The specified unit door dimensions are valid for a door gap of 4 mm.

measurements in mm

The gap dimensions recommended in the table must be adhered to in order to ensure that appliance doors do not collide with anything when they are opened, and to avoid causing damage to kitchen units.



### Maximal permissible weight of the unit fronts

Fitted unit fronts that exceed the permissible weight may cause damage and result in functional impairment of the hinges

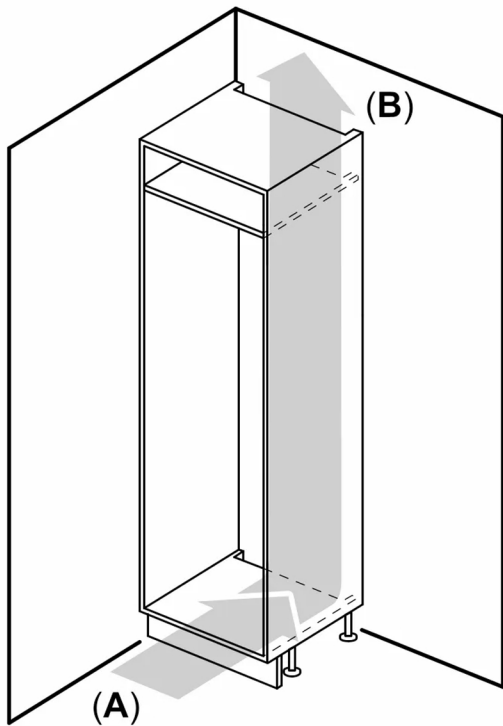
⚠ Weight

**A:** Appliance door height including hinges in mm

**B:** Undamped hinge, unit front in kg

**C:** Damped hinge, unit front in kg

A	B	C
1500-1750	22	22
720-1400	19	19
<b>A1</b>	15	19
<b>A2</b>	15	19



**A:** Air inlet  $\geq 200 \text{ cm}^2$ ; Ventilation options

**B:** Air outlet  $\geq 200 \text{ cm}^2$ ; Ventilation options

